



LOAD FEEDER FUSELESS DIRECT STARTING,AC  
400V, SIZES00 0.9...1.25 A,  
AC 24 V, 50 HZ, 1NO(CONTACTOR),  
SCREW CONNECT. ON 60 MM BUSBAR ADAPTER TYPE  
OF COORDIN. 2,  
IQ = 50 KA

**General technical data:**

<b>product brand name</b>		SIRIUS
<b>Product designation</b>		non-fused load feeder
<b>Design of the product</b>		direct starter
<b>Size of the load feeder</b>		S00
<b>Protection class IP / on the front</b>		IP20
<b>Degree of pollution</b>		3
<b>Insulation voltage / rated value</b>	V	690
<b>Installation altitude / at a height over sea level / maximum</b>	m	2,000
<b>Ambient temperature</b>		
• during storage	°C	-55 ... +80
• during operating	°C	-20 ... +70
<b>Resistance against shock</b>		9.8g
<b>Impulse voltage resistance / rated value</b>	kV	6
<b>Reference code</b>		
• according to DIN 40719 extended according to IEC 204-2 / according to IEC 750		Q
• according to DIN EN 61346-2		Q
<b>Type of assignment</b>		2
<b>Mechanical operating cycles as operating time / of the contactor / typical</b>		30,000,000

<b>Manufacturer article number</b>		
<ul style="list-style-type: none"> <li>• of the circuit-breakers included in the scope of supply</li> <li>• of the contactor included in the scope of supply</li> <li>• of the link module included in the scope of supply</li> <li>• of the busbar adapter included in the scope of supply</li> </ul>		<a href="#">3RV1011-0KA10</a> <a href="#">3RT1015-1AB01</a> <a href="#">3RA1911-1AA00</a> <a href="#">8US1251-5DM07</a>
<b>Design of the switching contact</b>		electromechanical
<b>Type of the motor protection</b>		bimetal
<b>Adjustable response current</b>		
<ul style="list-style-type: none"> <li>• of the current-dependent overload release</li> </ul>	A	0.9 ... 1.25

#### Communication/ Protocol:

<b>Product function / bus-communication</b>		No
<b>Protocol / is supported</b>		
<ul style="list-style-type: none"> <li>• AS interface protocol</li> </ul>		No
<ul style="list-style-type: none"> <li>• PROFIBUS DP protocol</li> </ul>		No
<ul style="list-style-type: none"> <li>• PROFINET protocol</li> </ul>		No

#### Main circuit:

<b>Number of poles / for main current circuit</b>		3
<b>Operating voltage / at AC-3 / rated value / maximum</b>	V	400
<b>Operating current / at AC-3 / at 400 V / rated value</b>	A	1.1
<b>Service power / at AC-3 / at 400 V / rated value</b>	kW	0.37
<b>Off-load operating frequency</b>	1/s	15

#### Control circuit/ Control:

<b>Voltage type / of control feed voltage</b>		AC
<b>Control supply voltage frequency / 1</b>		
<ul style="list-style-type: none"> <li>• rated value</li> </ul>	Hz	50
<b>Control supply voltage / 1</b>		
<ul style="list-style-type: none"> <li>• at 50 Hz / for AC</li> <li>• rated value</li> </ul>	V	24

#### Auxiliary circuit:

<b>Product extension / auxiliary switch</b>		Yes
<b>Number of NO contacts / for auxiliary contacts</b>		1

#### Inputs/ Outputs:

<b>Number of digital inputs</b>		0
---------------------------------	--	---

#### Short-circuit:

<b>Product function / short circuit protection</b>		Yes
<b>Design of the short-circuit protection</b>		circuit-breakers

<b>Breaking capacity limit short-circuit current (Icu) / at 400 V / rated value</b>	kA	50
---	----	----

### Installation/ mounting/ dimensions:

<b>mounting position</b>		bei senkrechter Montageebene +/-90° drehbar, bei senkrechter Montageebene +/- 22,5° nach vorne und hinten kippbar
<b>Mounting type</b>		snap-on mounting
<b>Width</b>	mm	45
<b>Height</b>	mm	203
<b>Depth</b>	mm	128
<b>Center line spacing</b>	mm	60
<b>Distance, to be maintained, to the ranks assembly / sideways</b>	mm	0
<b>Distance, to be maintained, to earthed part</b>		
• forwards	mm	10
• backwards	mm	0
• upwards	mm	20
• sideways	mm	9
<b>Distance, to be maintained, conductive elements</b>		
• forwards	mm	10
• backwards	mm	9
• downwards	mm	0
• sideways	mm	20

### Connections/ terminals:

<b>Design of the electrical connection / for main current circuit</b>		screw-type terminals
<b>Type of the connectable conductor cross-section</b>		
• for main contacts		
• solid		0.5 ... 4 mm <sup>2</sup> , 2x (0.75 ... 2.5 mm <sup>2</sup> )
• stranded		0.5 ... 4 mm <sup>2</sup> , 2x (0.75 ... 2.5 mm <sup>2</sup> )
• finely stranded / with conductor end processing		0.5 ... 2.5 mm <sup>2</sup> , 2x (0.5 ... 2.5 mm <sup>2</sup> )
• for AWG conductors / for main contacts		2x (18 ... 14)
<b>Verification of suitability</b>		UL / CSA / CCC / GL / LRS / BV / DNV / PRS

### Certificates/ approvals:

General Product Approval

For use in hazardous locations

Declaration of Conformity



Shipping Approval



other

[other](#)

[Environmental Confirmations](#)

Further information:

Information- and Downloadcenter (Catalogs, Brochures,...)

<http://www.siemens.com/industrial-controls/catalogs>

Industry Mall (Online ordering system)

<http://www.siemens.com/industrial-controls/mall>

Cax online generator

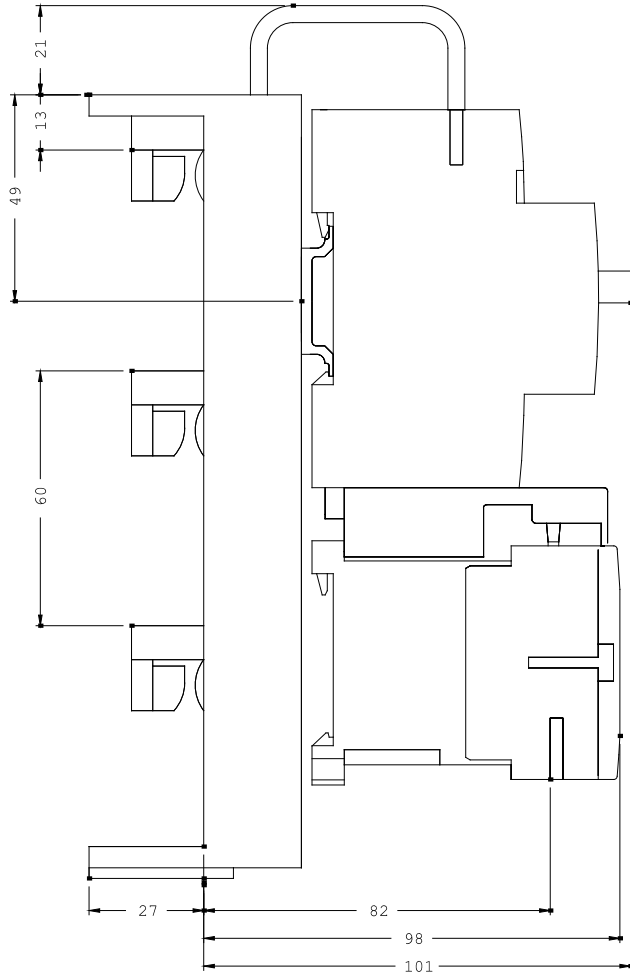
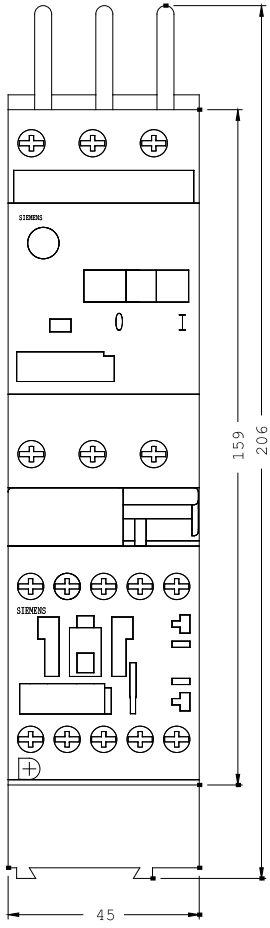
<http://www.siemens.com/cax>

Service&Support (Manuals, Certificates, Characteristics, FAQs,...)

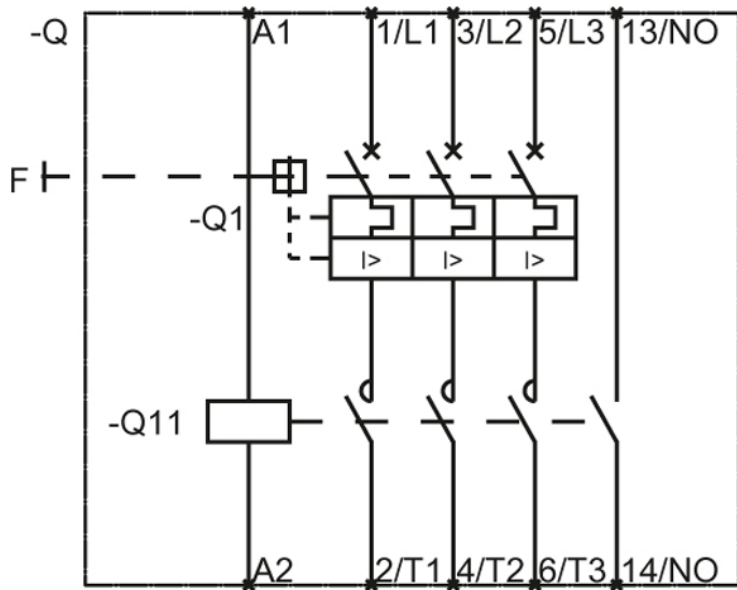
<http://support.automation.siemens.com/WW/view/en/3RA1110-0KD15-1AB0/all>

Image database (product images, 2D dimension drawings, 3D models, device circuit diagrams, ...)

[http://www.automation.siemens.com/bilddb/cax\\_en.aspx?mlfb=3RA1110-0KD15-1AB0](http://www.automation.siemens.com/bilddb/cax_en.aspx?mlfb=3RA1110-0KD15-1AB0)



3RA1110\_000



last change:

Jul 28, 2014