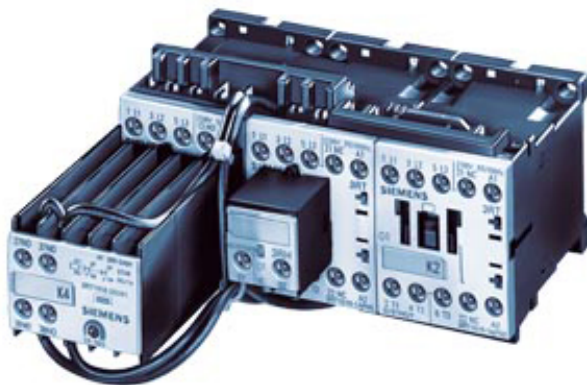


CONTACTOR COMBINATION,
 STAR-DELTA (PREASSEMBLED) WITH LATERAL TIME
 RELAY,
 3PH, 7.5KW/400V, 3-POLE,
 SIZE S00,S00,S00,
 EL. AND MECH. LATCHED IN,
 SCREW TERMINAL, 230V AC, 50/60HZ



General details:

product brand name		SIRIUS
Product designation		contactor assembly
Product function		wye-delta-contactor
Size of the contactor		S00, S00, S00
Protection class IP / on the front		IP20
Degree of pollution		3
Insulation voltage / with degree of pollution 3 / rated value	V	690
Installation altitude / at a height over sea level / maximum	m	2,000
Ambient temperature		
• during operating	°C	-25 ... +60
• during storage	°C	-55 ... +80
• during transport	°C	-55 ... +80
Reference code		
• according to DIN 40719 extended according to IEC 204-2 / according to IEC 750		K
• according to DIN EN 61346-2		Q
Mechanical operating cycles as operating time		
• of the main contacts / typical		30,000,000
• of the auxiliary contacts / typical		10,000,000

- of the contactor with added auxiliary switch block / typical

10,000,000

Main circuit:

Number of poles / for main current circuit		3
Number of NC contacts / for main contacts		0
Operating voltage / at AC-3 / rated value / maximum	V	690
Operating current / at AC-3 / at 400 V / rated value	A	17
Service power / at AC-3		
<ul style="list-style-type: none"> • at 400 V / rated value 	kW	7.5
<ul style="list-style-type: none"> • at 500 V / rated value 	kW	10.3
<ul style="list-style-type: none"> • at 690 V / rated value 	kW	9.2

Control circuit:

Design of activation		conventional
Design of the surge suppressor		without
Voltage type / of control feed voltage		AC
Control supply voltage frequency		
<ul style="list-style-type: none"> • 1 / rated value 	Hz	50
Control supply voltage / 1		
<ul style="list-style-type: none"> • for AC / at 50 Hz / rated value 	V	230
operating range factor control supply voltage rated value / of the magnet coil		
<ul style="list-style-type: none"> • at 50 Hz <ul style="list-style-type: none"> • for AC 		0.8 ... 1.1
<ul style="list-style-type: none"> • at 60 Hz <ul style="list-style-type: none"> • for AC 		0.85 ... 1.1
<ul style="list-style-type: none"> • for DC 		0.8 ... 1.1

Auxiliary circuit:

Product extension / auxiliary switch		Yes
Number of NC contacts / for auxiliary contacts		
<ul style="list-style-type: none"> • lagging switching 		0
Number of NO contacts / for auxiliary contacts		
<ul style="list-style-type: none"> • instantaneous switching 		2
<ul style="list-style-type: none"> • leading switching 		0

Short-circuit:

Design of the fuse link		
<ul style="list-style-type: none"> • for short-circuit protection of the auxiliary switch / required 		fuse gL/gG: 10 A
<ul style="list-style-type: none"> • for short-circuit protection of the main circuit <ul style="list-style-type: none"> • with type of assignment 1 / required 		fuse gL/gG: 35 A
<ul style="list-style-type: none"> • at type of coordination 2 / required 		fuse gL/gG: 20 A

Installation/ mounting/ dimensions:

mounting position		with vertical mounting surface +/-180° rotatable, with vertical mounting surface +/- 30° tiltable to the front and back
Mounting type		screw and snap-on mounting onto 35 mm standard mounting rail according to DIN EN 50022
Width	mm	135
Height	mm	71
Depth	mm	148
Distance, to be maintained, to the ranks assembly / sideways	mm	0
Distance, to be maintained, to earthed part / sideways	mm	0
Distance, to be maintained, conductive elements • sideways	mm	0

Connection elements and terminals:

Design of the electrical connection / for main current circuit		screw-type terminals
---	--	----------------------

Certificates/ approvals:

Verification of suitability		CE / UL / CCC / GL / LRS / BV / DNV / RMRS / RINA / PRS / ABS
------------------------------------	--	---

General Product Approval

Declaration of Conformity

Shipping Approval



other

[other](#)

[Environmental Confirmations](#)

Sicherheitstechnische Merkmale:

Contact reliability / of the auxiliary contacts		1 faulty switching per 100 million (17 V, 1 mA)
--	--	---

Further information:

Information- and Downloadcenter (Catalogs, Brochures,...)

<http://www.siemens.com/industrial-controls/catalogs>

Industry Mall (Online ordering system)

<http://www.siemens.com/industrial-controls/mall>

Cax online generator

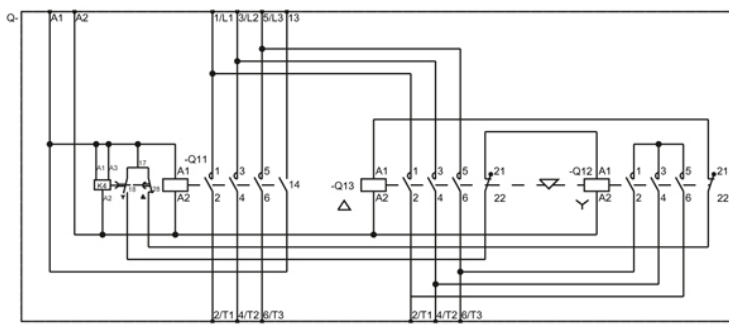
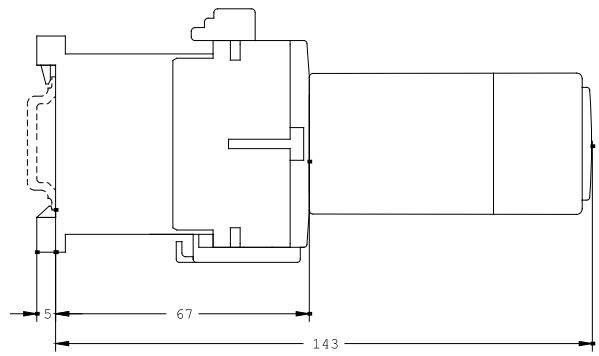
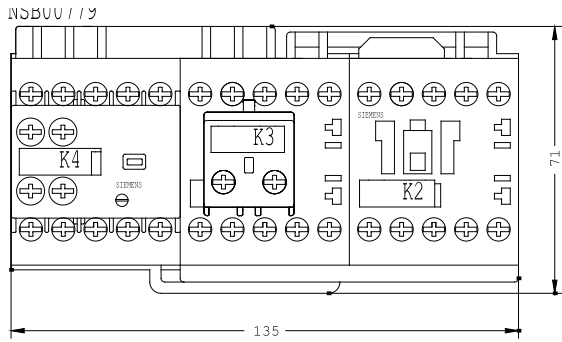
<http://www.siemens.com/cax>

Service&Support (Manuals, Certificates, Characteristics, FAQs,...)

<http://support.automation.siemens.com/WWW/view/en/3RA1416-8XC31-1AP0/all>

Image database (product images, 2D dimension drawings, 3D models, device circuit diagrams, ...)

http://www.automation.siemens.com/bilddb/cax_en.aspx?mlfb=3RA1416-8XC31-1AP0



last change:

Jul 28, 2014