



SEMI-CONDUCTOR CONTAC.3-PH.3RF2 AC51 50A 40  
 DEG. C 48-600V / 4-30V DC 3-PHASE CONTROLLED  
 SCREW TERMINAL BLOCKING VOLTAGE 1200V

General technical data:		
product brand name		SIRIUS
product designation		solid-state contactor
Product function		zero-point switching
Number of poles / for main current circuit		3
Protection class IP		IP20
Product designation / _2 / of the accessories that can be ordered		converter
Manufacturer article number / _2 / of the accessories that can be ordered		<a href="#">3RF2900-0EA18</a>
Ambient temperature		
• during operating	°C	-25 ... +60
• during storage	°C	-55 ... +80
Installation altitude / at a height over sea level / maximum	m	1,000
Resistance against vibration / according to IEC 60068-2-6		2g
Resistance against shock / according to IEC 60068-2-27		15g / 11 ms
Item designation		
• according to DIN 40719 extendable after IEC 204-2 / according to IEC 750		K
• according to DIN EN 61346-2		Q
Number of NC contacts / for auxiliary contacts		0

Number of NO contacts / for auxiliary contacts		0
Number of change-over switches / for auxiliary contacts		0

#### Main circuit:

Number of NO contacts / for main contacts		3
Number of NC contacts / for main contacts		0
Operating current / at AC-1 / at 400 V / rated value	A	50
Operating current / at AC-51 / rated value	A	50
Reverse current / of the thyristor	mA	10
Derating temperature	°C	40
Operating current / minimum	mA	500
Resistance against the impulse current / rated value	A	1,150
I <sup>2</sup> t-level / maximum	A <sup>2</sup> ·s	6,600
Operating voltage		
• at 50 Hz / at AC / rated value	V	48 ... 600
• at 60 Hz / at AC / rated value	V	48 ... 600
Working area related to the operating voltage		
• at 50 Hz / for AC	V	40 ... 660
• at 60 Hz / for AC	V	40 ... 660
Operating frequency		
• rated value	Hz	50 ... 60
Relative symmetrical tolerance / of the operation frequency	%	10
Insulation voltage / rated value	V	600
Voltage slew rate / at the thyristor / for main contacts / maximum permissible	V/μs	1,000
Block voltage / at the thyristor / for main contacts / maximum permissible	V	1,600
Fuse assignments	<a href="https://www.automation.siemens.com/cd-static/material/info/3RF24_eng.pdf">https://www.automation.siemens.com/cd-static/material/info/3RF24_eng.pdf</a>	

#### Control circuit:

Type of voltage / of the controlled supply voltage		DC
Control supply voltage / 1		
• for DC	V	4 ... 30
Control supply voltage / for DC / final value for signal<0>-recognition	V	1
Tolerance of the line frequency	Hz	5
Control current		
• at minimum control supply voltage / for DC	mA	2
• for DC / rated value	mA	30

#### Installation/mounting/dimensions:






<b>Type of mounting</b>		screw fixing
<b>Type of fixing/fixation / series installation</b>		Yes
<b>Design of the thread / of the screw for fastening of the operating resource</b>		M4
<b>Tightening torque / of the screw for fastening of the operating resource</b>	N·m	1.5
<b>Width</b>	mm	157.5
<b>Height</b>	mm	180
<b>Depth</b>	mm	121

#### Connections:

<b>Design of the electrical connection / for main current circuit</b>		screw-type terminals
<b>Design of the thread / of the connection screw / for main contacts</b>		M4
<b>Tightening torque / for main contacts</b> • with screw-type terminals	N·m	2 ... 2.5
<b>Tightening torque (lbf-in) / for main contacts</b> • with screw-type terminals	lbf-in	18 ... 22
<b>Type of the connectable conductor cross-section</b> • for main contacts • solid • finely stranded • with conductor end processing • for AWG conductors • for main contacts • for auxiliary and control contacts • for auxiliary and control contacts • solid • finely stranded • with conductor end processing • without conductor final cutting		2x (1.5 ... 2.5 mm <sup>2</sup> ), 2x (2.5 ... 6 mm <sup>2</sup> )  2x (1 ... 2.5 mm <sup>2</sup> ), 2x (2.5 ... 6 mm <sup>2</sup> ), 1x 10 mm <sup>2</sup>  2x (14 ... 10) 1x (AWG 20 ... 12)  1x (0.5 ... 2.5 mm <sup>2</sup> ), 2x (0.5 ... 1.0 mm <sup>2</sup> )  1x (0.5 ... 2.5 mm <sup>2</sup> ), 2x (0.5 ... 1.0 mm <sup>2</sup> ) 1x (0.5 ... 2.5 mm <sup>2</sup> ), 2x (0.5 ... 1.0 mm <sup>2</sup> )
<b>Conductor cross section that can be connected</b> • for main contacts • solid • stranded wire • with conductor end processing • for auxiliary and control contacts • solid • stranded wire • with conductor end processing / • without conductor final cutting	mm <sup>2</sup>  mm <sup>2</sup>  mm <sup>2</sup>  mm <sup>2</sup> mm <sup>2</sup> mm <sup>2</sup>	1.5 ... 6  1 ... 10  0.5 ... 2.5  0.5 ... 2.5 0.5 ... 2.5

<b>AWG number / as coded connectable conductor cross-section / for main contacts</b>		14 ... 10
<b>Design of the electrical connection / for auxiliary and control current circuit</b>		screw-type terminals
<b>Design of the thread / of the connection screw / of the auxiliary and control pins</b>		M3
<b>AWG number / as coded connectable conductor cross-section</b> • for auxiliary and control contacts		20 ... 12
<b>Skinning length / of the cable / for main contacts</b>	mm	7
<b>Skinning length / of the cable / for auxiliary and control contacts</b>	mm	7
<b>Tightening torque / for auxiliary and control contacts</b> • with screw-type terminals	N·m	0.5 ... 0.6
<b>Tightening torque (lbf-in) / for auxiliary and control contacts</b> • with screw-type terminals	lbf-in	7.5 ... 5.3

#### Certificates/approvals:

General Product Approval	EMC	Declaration of Conformity	Test Certificates
 CSA	 GOST	 UL	 C-TICK
 EG-Konf.			<a href="#">Type Test Certificates/Test Report</a>

other

[Environmental Confirmations](#)

#### Further information:

**Information- and Downloadcenter (Catalogs, Brochures,...)**

<http://www.siemens.com/industrial-controls/catalogs>

**Industry Mall (Online ordering system)**

<http://www.siemens.com/industrial-controls/mall>

**Cax online generator:**

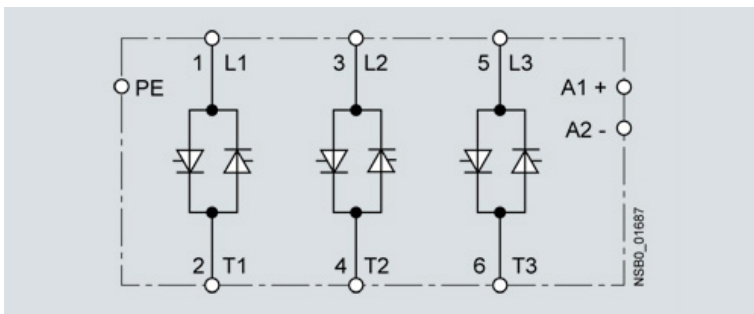
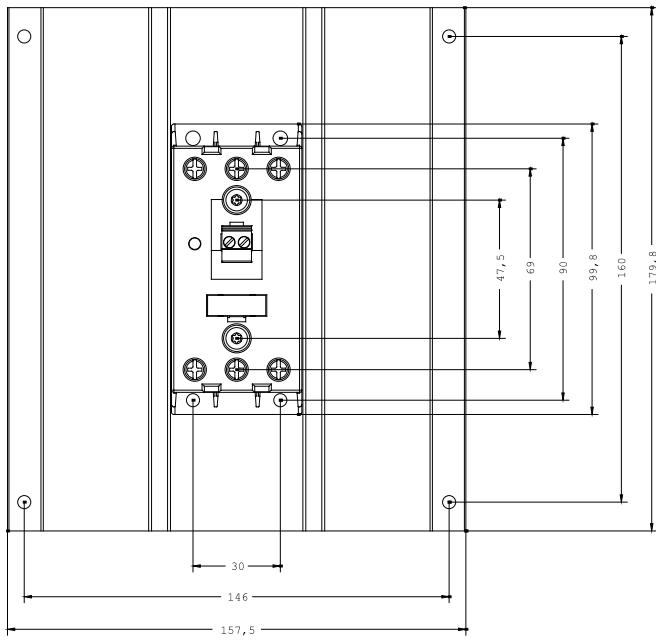
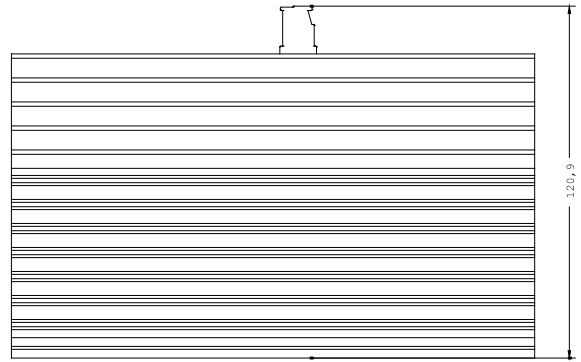
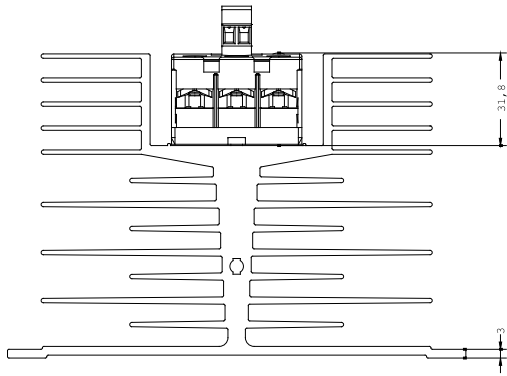
<http://www.siemens.com/cax>

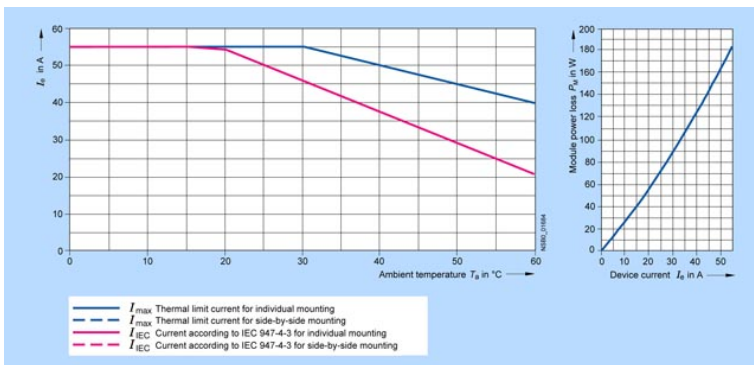
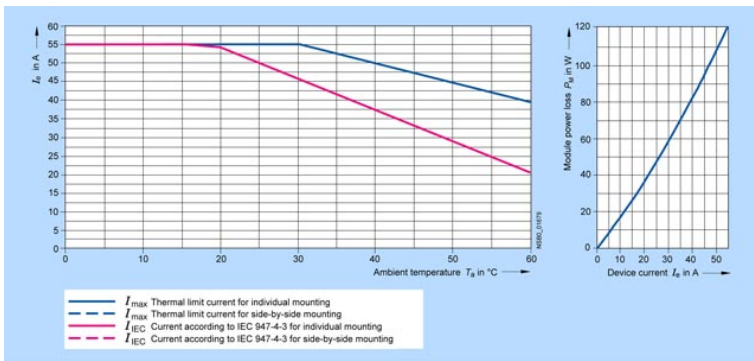
**Service&Support (Manuals, Certificates, Characteristics, FAQs,...)**

<http://support.automation.siemens.com/WW/view/en/3RF2450-1AC45/all>

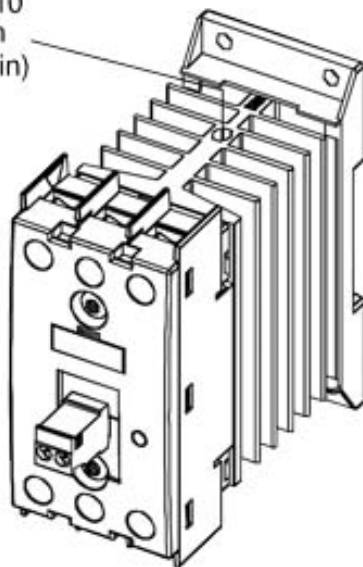
**Image database (product images, 2D dimension drawings, 3D models, device circuit diagrams, ...)**

[http://www.automation.siemens.com/bilddb/cax\\_en.aspx?mlfb=3RF2450-1AC45](http://www.automation.siemens.com/bilddb/cax_en.aspx?mlfb=3RF2450-1AC45)





PE  
M 5 x 10  
1,5 Nm  
(13 lb · in)



last change:

Feb 4, 2013