

22MM METAL ROUND ACTUATOR: IKON KEY-OPER.SWITCH W.
2 KEYS LATCHING 3 SWITCH POSITIONS I-O-II LOCK NO
360012K1,REMOVAL POS. O WITH HOLDER Z= 20 UNITS
PACKED

Design of the product	Single device round
-----------------------	---------------------

Enclosure:

Number of command points	1
--------------------------	---

Actuator:

Design of the operating mechanism	Key-operated switch
Manner of function of the actuating element	Latching
Product extension optional Light source	No
Color	
• of the actuating element	Silver
Material of the actuating element	metal
Outer diameter of the actuating element	28.5 mm
Type of unlocking device	key unlatching
Number of switching positions	3
Switch position for key distraction	I+O+II
Actuating angle	
• clockwise	50°
• anticlockwise	50°
Lock make	ZEISS

Front ring:

Product component front ring	Yes
Design of the front ring	Standard
Material of the front ring	metal
Color of the front ring	silver

Holder:

Material of the holder	Metal
------------------------	-------

General technical data:

Product function	
• EMERGENCY OFF function	No
• EMERGENCY STOP function	No
Protection class IP	IP67
Vibration resistance	
• acc. to IEC 60068-2-6	20 ... 200 Hz: 5g
Operating frequency maximum	1 000 1/h

Mechanical service life (switching cycles)	
• typical	300 000
Equipment marking	
• acc. to DIN 40719 extended according to IEC 204-2 acc. to IEC 750	S
• acc. to DIN EN 61346-2	S
• acc. to DIN EN 81346-2	S

Connections/ Terminals:

Tightening torque of the screws in the bracket	1.4 ... 1.6 N·m
---	-----------------




Ambient conditions:

Ambient temperature	
• during operation	-25 ... +70 °C
• during storage	-40 ... +80 °C
Environmental category during operation acc. to IEC 60721	3K6

Installation/ mounting/ dimensions:

Mounting type	front mounting
Shape of the installation opening	round
Mounting diameter	22 mm
Mounting height	61 mm
Installation width	28.5 mm
Installation depth	29 mm

Certificates/approvals

General Product Approval			Declaration of Conformity	Test Certificates	Shipping Approval
 CSA	 UL		 EG-Konf.	spezielle Prüfbescheinigungen <u>n</u>	 ABS

Shipping Approval				other	
 DNV	 LRS	 PRS	 RINA	Umweltbestätigung	sonstig

other
Bestätigungen

Further information

Information- and Downloadcenter (Catalogs, Brochures,...)

<http://www.siemens.com/industrial-controls/catalogs>

Industry Mall (Online ordering system)

<https://mall.industry.siemens.com/mall/en/en/Catalog/product?mlfb=3SB3500-5PD11-Z X90>

Cax online generator

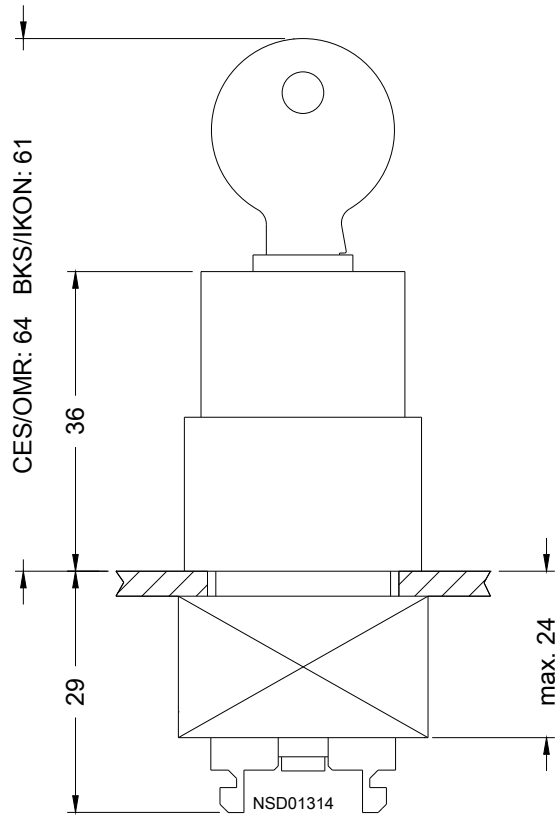
<http://support.automation.siemens.com/WW/CAXorder/default.aspx?lang=en&mlfb=3SB3500-5PD11-Z X90>

Service&Support (Manuals, Certificates, Characteristics, FAQs,...)

<https://support.industry.siemens.com/cs/ww/en/ps/3SB3500-5PD11-Z X90>

Image database (product images, 2D dimension drawings, 3D models, device circuit diagrams, EPLAN macros, ...)

http://www.automation.siemens.com/bilddb/cax_de.aspx?mlfb=3SB3500-5PD11-Z X90&lang=en



last modified:

08/18/2016