



ROUND ASSEMBLY, INDICATOR LAMP, SMOOTH,  
W. HOLDER, METAL,  
RED LENS SOLVENT-RESISTANT NON INSCRIBABLE  
WITH LASER

#### Actuator:

<b>Design of the product</b>		Single device round
<b>Design of the operating mechanism</b>		indicator light
<b>External diameter / of the activation element</b>	mm	28
<b>Color / of the activation element</b>		Red
<b>Material / of the activation element</b>		plastic
<b>Shape / of the activation element</b>		Smooth lens
<b>Number of switching positions</b>		0
<b>Product component / front ring</b>		No
<b>Product function / EMERGENCY STOP function</b>		No

#### Holder:

<b>Material / of the holder</b>		Metal
---------------------------------	--	-------

#### General technical data:

<b>Resistance against shock</b>		
<ul style="list-style-type: none"> <li>• for devices with incandescent lamp / according to IEC 60068-2-27</li> <li>• for devices without incandescent lamp / according to IEC 60068-2-27</li> </ul>		<p>&lt;= 30g</p> <p>&lt;= 50g</p>
<b>Resistance against vibration / according to IEC 60068-2-6</b>		20 ... 200 Hz: 5g
<b>Product extension / optional / fluorescent materials</b>		Yes

<b>Reference code</b>		
<ul style="list-style-type: none"> <li>• according to DIN EN 61346-2</li> <li>• according to DIN 40719 extended according to IEC 204-2 / according to IEC 750</li> </ul>		P H
<b>Tightening torque / of the screws in the bracket / maximum</b>	N·m	1
<b>Ambient temperature</b>		
<ul style="list-style-type: none"> <li>• during operating</li> <li>• during storage</li> </ul>	°C °C	-25 ... +70 -40 ... +80
<b>Protection class IP</b>		IP67
<b>climatic class / during the operating phase / according to EN 60721</b>		3K6
<b>Mounting type</b>		front mounting
<b>Shape / of the installation hole</b>		round
<b>Installation width</b>	mm	28
<b>Mounting diameter</b>	mm	22
<b>Mounting height</b>	mm	11
<b>Mounting depth</b>	mm	29

#### Certificates/ approvals:

##### General Product Approval



[Special Test Certificate](#)

EG-Konf.

##### Shipping Approval



##### other

[Confirmation](#)

[other](#)

[Environmental Confirmations](#)

#### Further information:

##### Information- and Downloadcenter (Catalogs, Brochures,...)

<http://www.siemens.com/industrial-controls/catalogs>

##### Industry Mall (Online ordering system)

<http://www.siemens.com/industrial-controls/mall>

##### Cax online generator

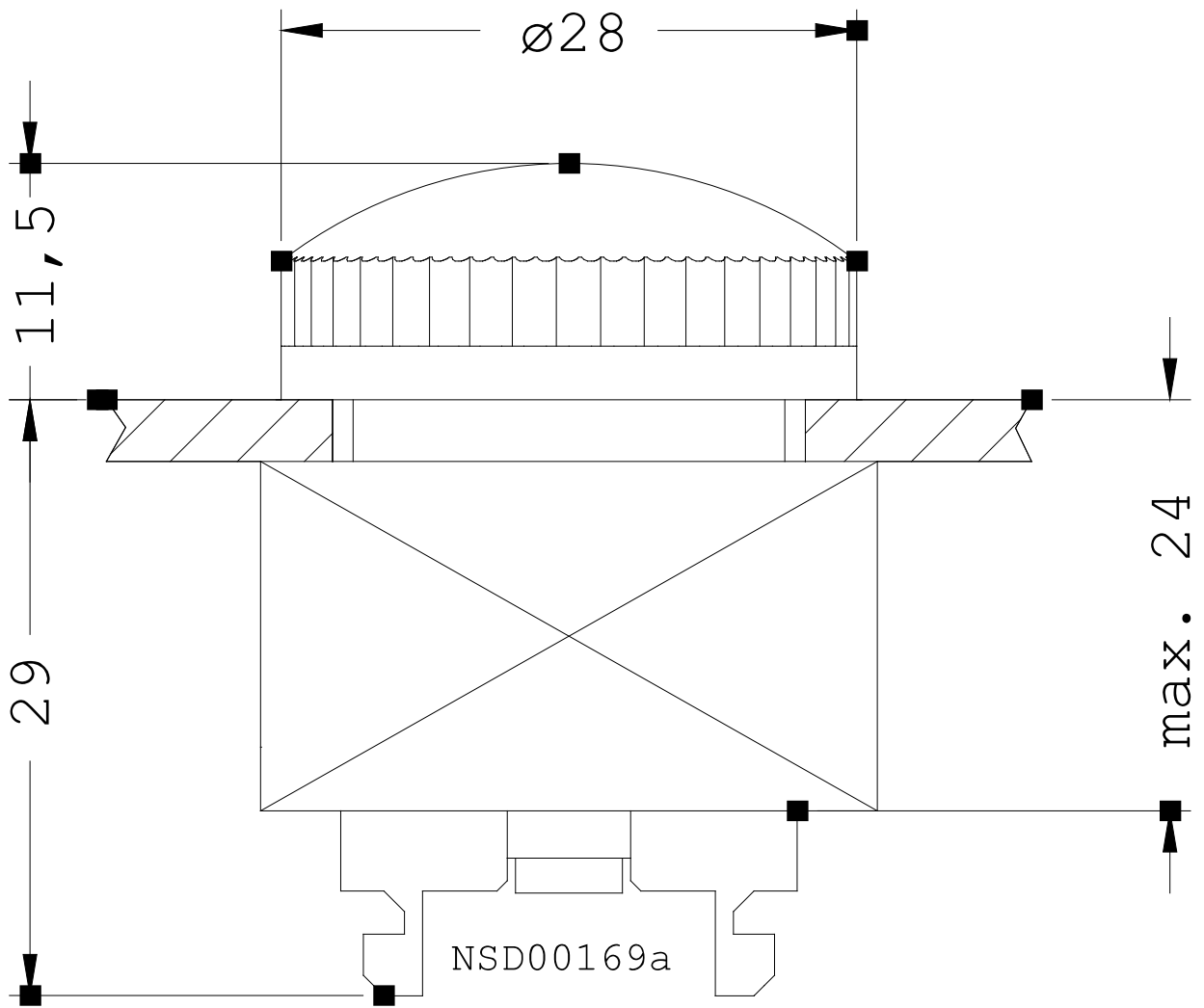
<http://www.siemens.com/cax>

##### Service&Support (Manuals, Certificates, Characteristics, FAQs,...)

<http://support.automation.siemens.com/WW/view/en/3SB3501-6AA20-0PA0/all>

##### Image database (product images, 2D dimension drawings, 3D models, device circuit diagrams, ...)

[http://www.automation.siemens.com/bilddb/cax\\_en.aspx?mlfb=3SB3501-6AA20-0PA0](http://www.automation.siemens.com/bilddb/cax_en.aspx?mlfb=3SB3501-6AA20-0PA0)



last change:

Jul 7, 2014