



SIRIUS POSITION SWITCH ATEX METAL ENCLOSURE  
 56MM WIDE DEVICE CONNECTION 3X (M20X1.5) 1NO/  
 1NC SNAP-ACTION CONTACTS STAINLESS STEEL  
 ROLLER LEVER AND PLASTIC ROLLER 22MM








<b>Manufacturer article number</b> <ul style="list-style-type: none"> <li>• of the basic unit included in the scope of supply</li> <li>• of the actuator head for position switches included in the scope of supply</li> </ul>	<a href="#">3SE5122-0CA00-1DA0</a> <a href="#">3SE5000-0AE03</a>
--	---

**General technical details:**

<b>product designation</b>	standard position switch	
<b>Product feature</b>	ATEX Zone 21/22	
<b>Explosion protection category for dust</b>	Zone 21, 94/9/EC II 2D	
<b>Insulation voltage</b>		
<ul style="list-style-type: none"> <li>• rated value</li> </ul>	V	400
<b>Degree of pollution</b>	class 3	
<b>Thermal current</b>	A	6
<b>Operating current</b>		
<ul style="list-style-type: none"> <li>• at AC-15                             <ul style="list-style-type: none"> <li>• at 24 V / rated value</li> <li>• at 125 V / rated value</li> <li>• at 230 V / rated value</li> <li>• at 400 V / rated value</li> </ul> </li> <li>• at DC-13                             <ul style="list-style-type: none"> <li>• at 24 V / rated value</li> <li>• at 125 V / rated value</li> </ul> </li> </ul>	A	6
	A	6
	A	6
	A	4
	A	3
	A	0.55

<ul style="list-style-type: none"> <li>• at 230 V / rated value</li> <li>• at 400 V / rated value</li> </ul>	A	0.27
	A	0.1
<b>Continuous current</b>		
<ul style="list-style-type: none"> <li>• of the slow DIAZED fuse link</li> <li>• of the quick DIAZED fuse link</li> <li>• of the C characteristic circuit breaker</li> </ul>	A	6
	A	10
	A	1
<b>Mechanical operating cycles as operating time</b>		
<ul style="list-style-type: none"> <li>• typical</li> </ul>		15,000,000
<b>Electrical operating cycles as operating time</b>		
<ul style="list-style-type: none"> <li>• with contactor 3RH11, 3RT1016, 3RT1017, 3RT1024, 3RT1025, 3RT1026 / typical</li> <li>• at AC-15 / at 230 V / typical</li> </ul>		10,000,000
		100,000
<b>Electrical operating cycles in one hour</b>		
<ul style="list-style-type: none"> <li>• with contactor 3RH11, 3RT1016, 3RT1017, 3RT1024, 3RT1025, 3RT1026</li> </ul>		6,000
<b>Repeat accuracy</b>	mm	0.05
<b>Design of the contact element</b>		snap-action contacts
<b>Number of NC contacts</b>		
<ul style="list-style-type: none"> <li>• for auxiliary contacts</li> </ul>		1
<b>Design of the switching function</b>		positive opening
<b>Number of NO contacts</b>		
<ul style="list-style-type: none"> <li>• for auxiliary contacts</li> </ul>		1
<b>Resistance against vibration</b>		0.35 mm / 5g
<b>Resistance against shock</b>		30g / 11 ms
<b>Ambient temperature</b>		
<ul style="list-style-type: none"> <li>• during operating</li> <li>• during storage</li> </ul>	°C	-25 ... +85
	°C	-40 ... +90
<b>Width of the sensor</b>	mm	56
<b>Material</b>		
<ul style="list-style-type: none"> <li>• of the enclosure</li> </ul>		metal
<b>Material / of the housing / of the switch head</b>		metal
<b>Design of the operating mechanism</b>		Stainless steel lever, plastic roller
<b>Actuating speed</b>	mm/s / m/s	0.1 ... 2.5
<b>Minimum actuating force / in activation direction</b>	N	10
<b>Protection class IP</b>		IP66/IP67
<b>mounting position</b>		any
<b>Cable gland version</b>		3 x (M20 x 1.5)
<b>Design of the electrical connection</b>		screw-type terminals
<b>Item designation</b>		
<ul style="list-style-type: none"> <li>• according to DIN 40719 extendable after IEC 204-2</li> </ul>		S

**Certificates/approvals:**

General Product Approval			For use in hazardous locations	Functional Safety / Safety of Machinery
 CCC	 GOST	 UL	 VDE	 ATEX
 VDE	<b>Declaration of Conformity</b>	<b>Test Certificates</b>	<b>other</b>	
 EG-Konf.	<a href="#">Special Test Certificate</a>	<a href="#">Confirmation</a>		

**Further information:**

**Information- and Downloadcenter (Catalogs, Brochures,...)**

<http://www.siemens.com/industrial-controls/catalogs>

**Industry Mall (Online ordering system)**

<http://www.siemens.com/industrial-controls/mall>

**CAX-Online-Generator**

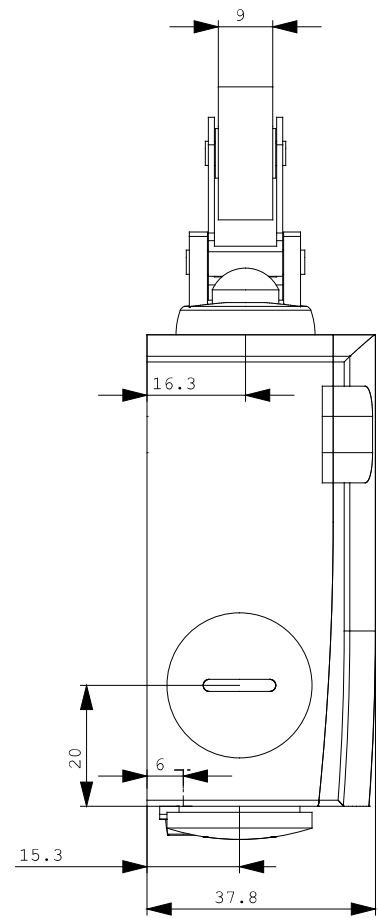
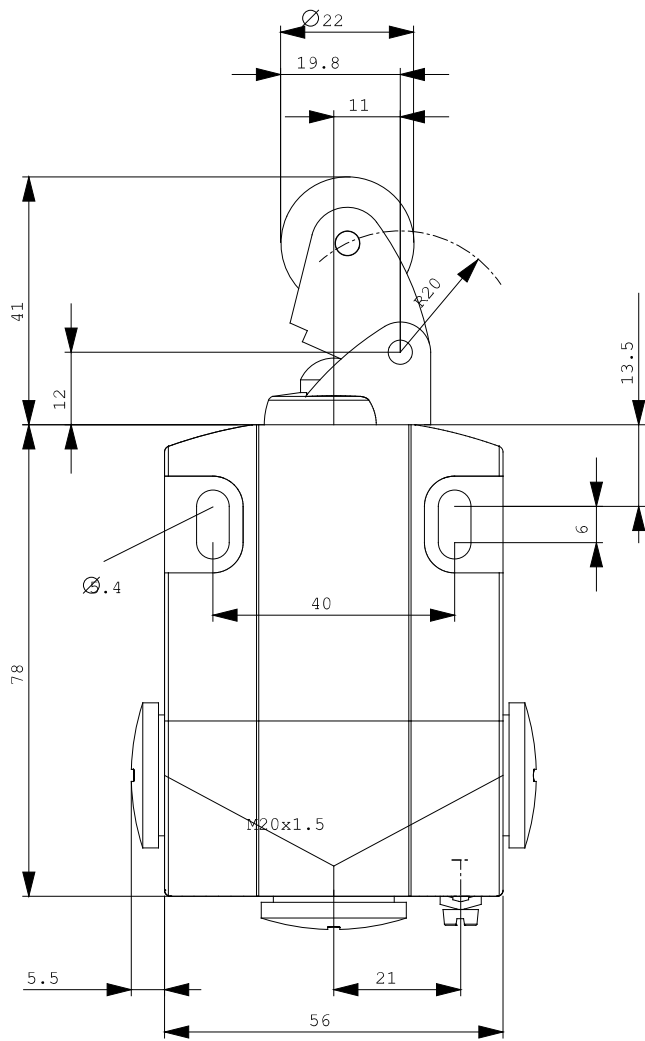
<http://www.siemens.com/cax>

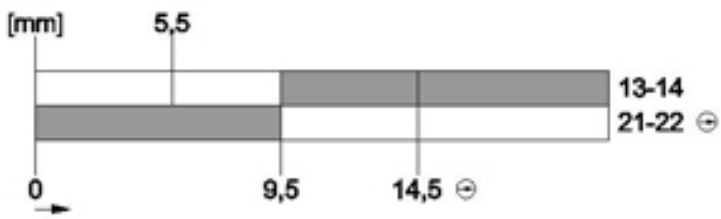
**Service&Support (Manuals, Certificates, Characteristics, FAQs,...)**

<http://support.automation.siemens.com/WW/view/en/3SE5122-0CE03-1DA0/all>

**Image database (product images, 2D dimension drawings, 3D models, device circuit diagrams, ...)**

[http://www.automation.siemens.com/bilddb/cax\\_en.aspx?mlfb=3SE5122-0CE03-1DA0](http://www.automation.siemens.com/bilddb/cax_en.aspx?mlfb=3SE5122-0CE03-1DA0)





last change:

Feb 18, 2013