



SIRIUS POSITION SWITCH, BASIC SWITCH, METAL, 56MM,XL INCREASED CORROSION PROTECTION, DEVICE CONNECTION 3X (M20X1.5) 2X(1NO/1NC) SLOW -ACT.CONTACTS FUNCTIONAL AT -40 DEGREES, SHOCK- AND VIBRATION TEST ACC.TO EN61373, CATEGORY 1B

Manufacturer article number		
<ul style="list-style-type: none"> of the basic unit included in the scope of supply 		3SE5162-0BA00-1AJ0

General technical details:




product designation		basic switch for standard position switches
Product feature		expanded temperature range, e.g. railway application
Explosion protection category for dust		none
Insulation voltage		
<ul style="list-style-type: none"> rated value 	V	400
Degree of pollution		class 3
Thermal current	A	10
Operating current		
<ul style="list-style-type: none"> at AC-15 <ul style="list-style-type: none"> at 24 V / rated value at 125 V / rated value at 230 V / rated value at 400 V / rated value at DC-13 <ul style="list-style-type: none"> at 24 V / rated value at 125 V / rated value at 230 V / rated value 	A	6
	A	6
	A	3
	A	4
	A	3
	A	0.55
	A	0.27

Continuous current		
• of the slow DIAZED fuse link	A	6
• of the quick DIAZED fuse link	A	10
• of the C characteristic circuit breaker	A	1
Mechanical operating cycles as operating time		
• typical		5,000,000
Electrical operating cycles as operating time		
• with contactor 3RH11, 3RT1016, 3RT1017, 3RT1024, 3RT1025, 3RT1026 / typical		5,000,000
• at AC-15 / at 230 V / typical		100,000
Electrical operating cycles in one hour		
• with contactor 3RH11, 3RT1016, 3RT1017, 3RT1024, 3RT1025, 3RT1026		6,000
Repeat accuracy	mm	0.05
Design of the contact element		slow-action contacts
Number of NC contacts		
• for auxiliary contacts		2
Design of the switching function		Positive opening with appropriate positive opening actuator head
Number of NO contacts		
• for auxiliary contacts		2
Resistance against vibration		
• for railway applications / according to DIN EN 61373		0.35 mm / 5g Category 1, Class B
Resistance against shock		
• for railway applications / according to DIN EN 61373		30g / 11 ms Category 1, Class B
Ambient temperature		
• during operating	°C	-40 ... +85
• during storage	°C	-40 ... +90
Width of the sensor	mm	56
Material		
• of the enclosure		metal
Design of the operating mechanism		without
Actuating speed	mm/s / m/s	0.4 ... 2.5
Minimum actuating force / in activation direction	N	30
Protection class IP		IP66/IP67
mounting position		any
Cable gland version		3 x (M20 x 1.5)
Design of the electrical connection		screw-type terminals
Fire load	kJ	1,446
Item designation		

- according to DIN 40719 extendable after IEC 204-2
- according to DIN EN 61346-2

	S
	B

Certificates/approvals:

General Product Approval	Declaration of Conformity	other
 CCC	 UL	 EG-Konf.
		Confirmation

Further information:

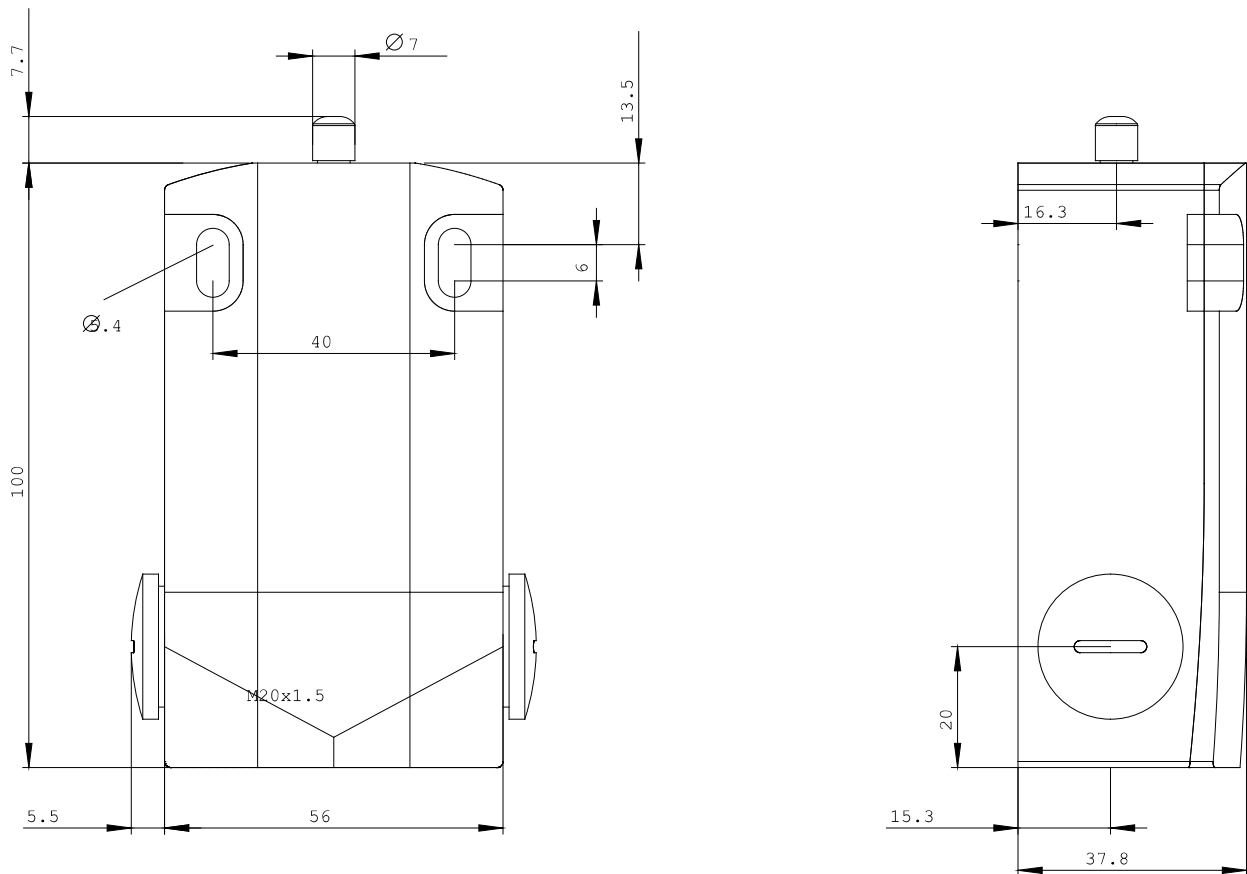
Information- and Downloadcenter (Catalogs, Brochures,...)
<http://www.siemens.com/industrial-controls/catalogs>

Industry Mall (Online ordering system)
<http://www.siemens.com/industrial-controls/mall>

CAX-Online-Generator
<http://www.siemens.com/cax>

Service&Support (Manuals, Certificates, Characteristics, FAQs,...)
<http://support.automation.siemens.com/WW/view/en/3SE5162-0BA00-1AJ0/all>

Image database (product images, 2D dimension drawings, 3D models, device circuit diagrams, ...)
http://www.automation.siemens.com/bilddb/cax_en.aspx?mlfb=3SE5162-0BA00-1AJ0



last change:

Feb 18, 2013