






OUTPUT COUPLING DEVICE RELAY COUPLER,  
SCREW-TYPE TERMINALS 1 CHANGEOVER CONTACT,  
AC/DC 24V

General technical details:		
<b>Type of voltage</b>		AC/DC
<b>Supply voltage frequency / for auxiliary and control current circuit / rated value</b>		
• minimum	Hz	50
• maximum	Hz	60
<b>Control supply voltage</b>		
• at 50 Hz / at AC / rated value		
• minimum	V	24
• maximum	V	24
• at 60 Hz / at AC / rated value		
• minimum	V	24
• maximum	V	24
• for DC / rated value		
• minimum	V	24
• maximum	V	24
<b>Number of NC contacts / for auxiliary contacts</b>		0
<b>Number of NO contacts / for auxiliary contacts</b>		0
<b>Number of changeover contacts / for auxiliary contacts</b>		1
<b>Operating current / of the auxiliary contacts</b>		
• at DC-13		

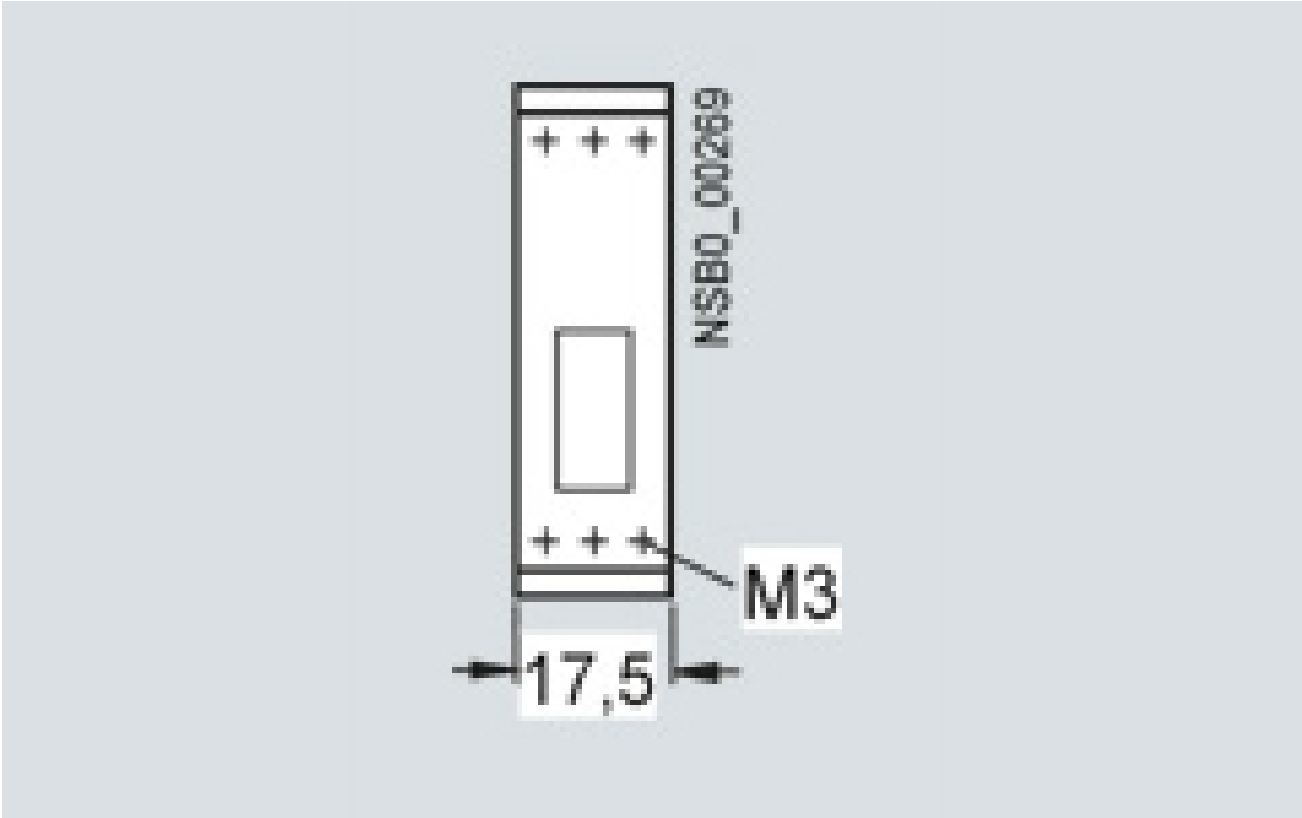
• at 24 V	A	1
• at 110 V	A	0.2
• at 230 V	A	0.1
• at AC-15		
• at 230 V	A	3
<b>Switching behaviour</b>		monostable
<b>Reference code / according to DIN 40719 extended according to IEC 204-2 / according to IEC 750</b>		K
<b>Reference code / according to DIN EN 61346-2</b>		K

<b>Mechanical design:</b>		
<b>Design of the electrical connection</b>		screw-type terminals
<b>Design of the electrical connection / jumper socket</b>		No
<b>Design of the relay operating mechanism</b>		poled
<b>Design of the switching function</b>		changeover switch
• guided		No
<b>Product component / jumper socket</b>		No
<b>Width</b>	mm	17.5
<b>Height</b>	mm	60
<b>Depth</b>	mm	62

<b>Ambient conditions:</b>		
<b>Protection class IP</b>		IP20
<b>Ambient temperature</b>		
• during operating	°C	-25 ... +60

<b>Certificates/approvals:</b>		
General Product Approval	Test Certificates	other
 CCC  EAC  UL	<a href="#">Special Test Certificate</a>	<a href="#">Declaration of Conformity</a> <a href="#">other</a>

<b>Further information:</b>
<b>Information- and Downloadcenter (Catalogs, Brochures,...)</b> <a href="http://www.siemens.com/industrial-controls/catalogs">http://www.siemens.com/industrial-controls/catalogs</a>
<b>Industry Mall (Online ordering system)</b> <a href="http://www.siemens.com/industrial-controls/mall">http://www.siemens.com/industrial-controls/mall</a>
<b>CAX-Online-Generator</b> <a href="http://www.siemens.com/cax">http://www.siemens.com/cax</a>
<b>Service&amp;Support (Manuals, Certificates, Characteristics, FAQs,...)</b> <a href="http://support.automation.siemens.com/WW/view/en/3TX7002-1BB00/all">http://support.automation.siemens.com/WW/view/en/3TX7002-1BB00/all</a>
<b>Image database (product images, 2D dimension drawings, 3D models, device circuit diagrams, ...)</b> <a href="http://www.automation.siemens.com/bilddb/cax_en.aspx?mlfb=3TX7002-1BB00">http://www.automation.siemens.com/bilddb/cax_en.aspx?mlfb=3TX7002-1BB00</a>



last change:

Jun 16, 2014