

CIRCUIT BREAKER 3VA2 IEC FRAME 250 BREAKING CAPACITY CLASS C ICU=110KA @ 415 V 3-POLE, LINE PROTECTION ETU320, LI, IN=250A OVERLOAD PROTECTION IR=100A ...250A SHORT CIRCUIT PROTECTION II=1,5... 10 X IN BUSBAR CONNECTION 2 AUXILIARY SWITCH HQ



| Model | |
|--|-----------------------------|
| product brandname | SENTRON |
| Product designation | Molded case circuit breaker |
| Design of the product | Line protection |
| Design of the overcurrent release | ETU320 |
| Protective function of the overcurrent release | LI |
| Number of poles | 3 |
| Design of the auxiliary release | Without auxiliary release |
| Design of the auxiliary switch | 2 auxiliary switches HQ |

| General technical data | |
|--|---------|
| Tension assignée d'isolement U_i | 800 V |
| Max. rated operational voltage U_e with AC 50/60Hz | 690 V |
| Active power loss / for rated value of the current / at AC / in hot operating state / per device | 48 W |
| Mechanical service life (switching cycles) / typical | 20 000 |
| Electrical endurance (switching cycles) / at AC-1 / at 380/415 V 50/60 Hz | 10 000 |
| Neutral conductors / upgradeable/retrofitable | No |
| Ground fault monitoring version | Without |

| | |
|--|---------|
| Product function | |
| <ul style="list-style-type: none"> • communication function | No |
| <ul style="list-style-type: none"> • Phase failure detection | No |
| <ul style="list-style-type: none"> • other measurement function | No |
| Net weight | 2.45 kg |

Electricity

| | |
|---|-------|
| Max. rated operational voltage of the size of the circuit-breaker | 250 A |
| Courant permanent assigné Iu | 250 A |
| Operating current | |
| <ul style="list-style-type: none"> • at 40 °C | 250 A |
| <ul style="list-style-type: none"> • at 45 °C | 250 A |
| <ul style="list-style-type: none"> • at 50 °C | 250 A |
| <ul style="list-style-type: none"> • at 55 °C | 241 A |
| <ul style="list-style-type: none"> • at 60 °C | 232 A |
| <ul style="list-style-type: none"> • at 65 °C | 222 A |
| <ul style="list-style-type: none"> • at 70 °C | 213 A |

Switching capacity according to IEC 60947

| | |
|--|--------|
| Switching capacity class of the circuit breaker | C |
| Maximum short-circuit current breaking capacity (Icu) | |
| <ul style="list-style-type: none"> • at 240 V | 150 kA |
| <ul style="list-style-type: none"> • at 415 V | 110 kA |
| <ul style="list-style-type: none"> • at 440 V | 110 kA |
| <ul style="list-style-type: none"> • at 500 V | 85 kA |
| <ul style="list-style-type: none"> • at 690 V | 3 kA |
| Operational short-circuit current breaking capacity (Ics) | |
| <ul style="list-style-type: none"> • at 240 V | 150 kA |
| <ul style="list-style-type: none"> • at 415 V | 110 kA |
| <ul style="list-style-type: none"> • at 440 V | 110 kA |
| <ul style="list-style-type: none"> • at 500 V | 85 kA |
| <ul style="list-style-type: none"> • at 690 V | 3 kA |
| Short-circuit current making capacity (Icm) | |
| <ul style="list-style-type: none"> • at 240 V | 330 kA |
| <ul style="list-style-type: none"> • at 415 V | 242 kA |
| <ul style="list-style-type: none"> • at 440 V | 242 kA |
| <ul style="list-style-type: none"> • at 500 V | 187 kA |
| <ul style="list-style-type: none"> • at 690 V | 6.3 kA |

Adjustable parameters

| | |
|---|-------|
| Adjustable response value current / I _g min. | 100 A |
| Adjustable response value current / I _g min. | 250 A |

| | |
|--|---------|
| Adjustable response value current / I _g min. | 0.5 |
| Adjustable response value current / I _g min. | 15 |
| Short-term delayed / tripping switchable / I _{2t} =ON/OFF | No |
| Adjustable response value current / I _i min. | 375 A |
| Adjustable response value current / I _i max. | 2 500 A |

Mechanical Design

| | |
|--------|--------|
| Height | 181 mm |
| Width | 105 mm |
| Depth | 86 mm |

Connections

| | |
|---|----------------|
| Arrangement of electrical connectors / for main current circuit | Front terminal |
| Type of electrical connection / for main current circuit | Lug terminal |
| Type of connectable conductor cross-section, connection screw, width x thickness , min. | 13 x 1 mm |
| Type of connectable conductor cross-section, connection screw, width x thickness , max. | 25 x 8.5 |

Auxiliary circuit

| | |
|--|--|
| Product component | |
| <ul style="list-style-type: none"> • undervoltage release • Voltage trigger • undervoltage release with leading contact • Trip indicator | <ul style="list-style-type: none"> No No No No |
| Number of CO contacts / for auxiliary contacts | 2 |

Accessories

| | |
|---|---|
| Product extension / optional / motor drive | Yes |
| Manufacturer's article number | |
| <ul style="list-style-type: none"> • of the supplied basic switch • of the integrated auxiliary switch/alarm switch | <ul style="list-style-type: none"> 3VA2225-7HL32-0AA0 3VA9988-0AA12 |

Environmental conditions

| | |
|--|--|
| Protection class IP / on the front | IP40 |
| Ambient temperature | |
| <ul style="list-style-type: none"> • during operation / minimum • during operation / maximum • during storage / minimum • during storage / maximum | <ul style="list-style-type: none"> -25 °C 70 °C -40 °C 80 °C |

Certificates

| | |
|--|---|
| Equipment marking / acc. to DIN EN 81346-2 | Q |
|--|---|

| | | |
|--------------------------|-----|---------------------------|
| General Product Approval | EMC | Declaration of Conformity |
|--------------------------|-----|---------------------------|



CCC



VDE



[sonstig](#)



RCM



EG-Konf.

| | |
|-------------------|-------------------|
| Test Certificates | Shipping Approval |
|-------------------|-------------------|

[Typprüfbescheinigung/Werkszeugnis](#)

[sonstig](#)



ABS



BUREAU VERITAS



GL



LRS

| | |
|-------------------|-------|
| Shipping Approval | other |
|-------------------|-------|



RMRS

[sonstig](#)

Further information

Information- and Downloadcenter (Catalogs, Brochures,...)

<http://www.siemens.com/lowvoltage/catalogs>

Industry Mall (Online ordering system)

<https://eb.automation.siemens.com/mall/en/WW/Catalog/Product/3VA2225-7HL32-0AC0>

Service&Support (Manuals, Certificates, Characteristics, FAQs,...)

<http://support.automation.siemens.com/WW/view/en/3VA2225-7HL32-0AC0/all>

Image database (product images, 2D dimension drawings, 3D models, device circuit diagrams, ...)

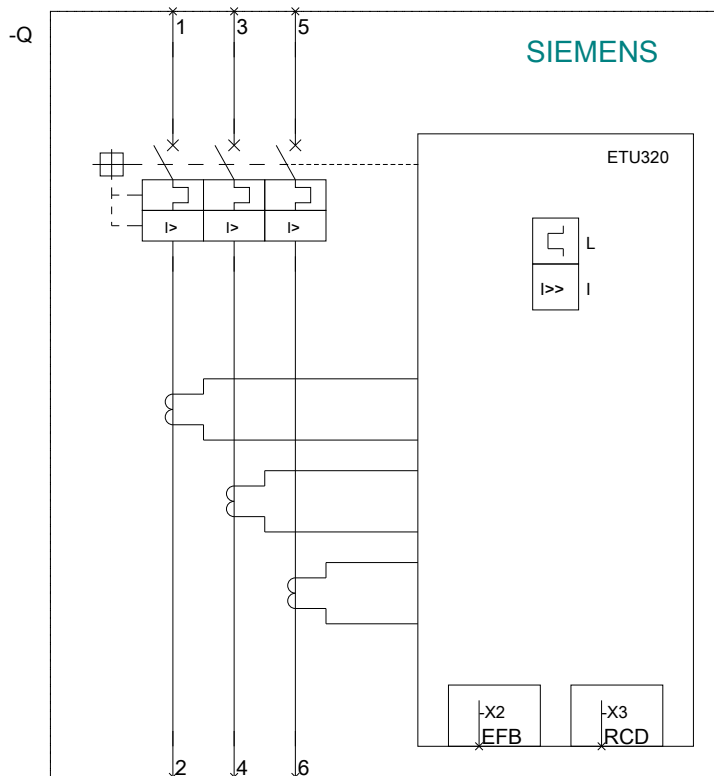
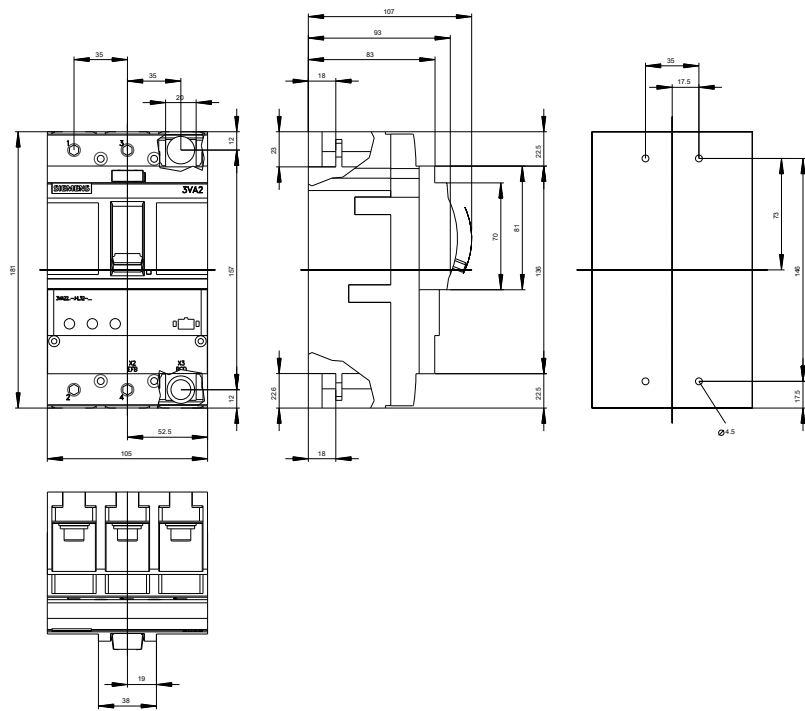
http://www.automation.siemens.com/bilddb/cax_en.aspx?mfb=3VA2225-7HL32-0AC0

CAX-Online-Generator

<http://www.siemens.com/cax>

Tender specifications

<http://www.siemens.com/specifications>



last modified:

10/29/2016