



FIXED-MOUNTED CIRCUIT BREAKER 3-POLE,
SIZE II, IEC IN=1600A TO 690V,
AC50/60HZ ICU=80KA AT 500V REAR CONNECTION
HORIZONTAL

Similar to image

Further information:

Information- and Downloadcenter (Catalogs, Brochures,...)

<http://www.siemens.com/lowvoltage/catalogs>

Global Industry Mall (Online ordering system)

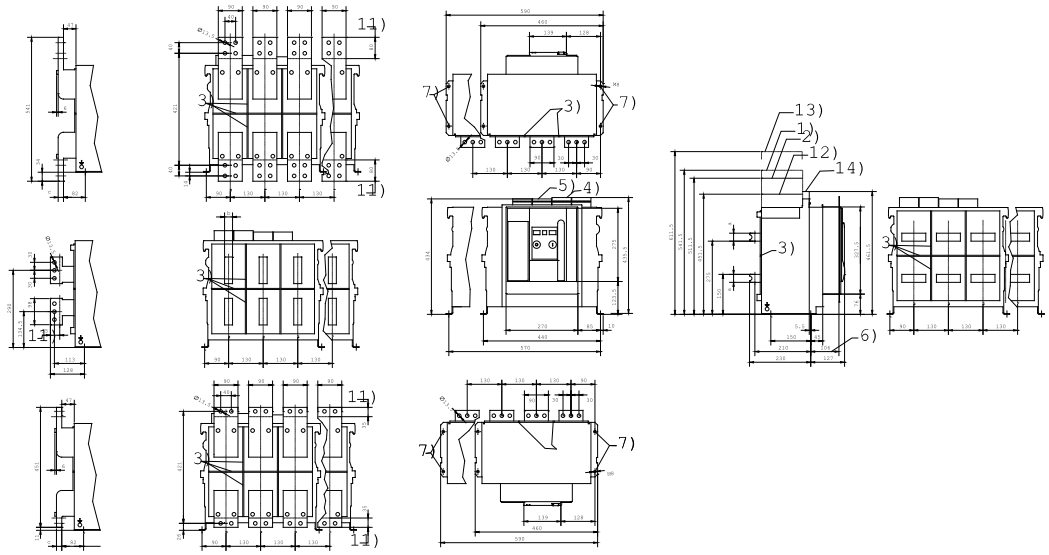
<http://www.siemens.com/lowvoltage/mall>

Service&Support (Manuals, Certificates, Characteristics, FAQs,...)

<http://support.automation.siemens.com/WWW/view/en/3WL1216-3..32-..../all>

Image database (product images, 2D dimension drawings, 3D models, device circuit diagrams, ...)

http://www.automation.siemens.com/bilddb/cax_en.aspx?mlfb=3WL1216-3..32-....



(E)

last change:

Feb 9, 2013