

withdrawable circuit breaker without guide frame 3-pole, size II, IEC In=3200A to 690V, AC50/60Hz Icu=100kA at 500V rear connection horizontal Overcurrent release ETU 76 LSING protection adjustable 0.4-1 in with graphic display U cubicle bus with ground fault protection Opt.: Comm./measuring func./ZSI Motorized/manual operating mechanism with spring charging motor AC 50/60 Hz 208-240 V or 220-250 V DC Activation AC 50/60 Hz 230 V, 220 V DC With 1st auxiliary release Shunt release "F", F1 50/60 Hz 230 V AC/220 V DC, 100% on-load factor without 2nd auxiliary release 4NO+4NC F02= COM15 PROFIBUS module with breaker status sensor K07= Tripped signaling contact, 1 CO not possible with option F02 R15= Position signaling switch, withdrawable part 3 changeover contacts R21= Shutter 2-part can be locked with padlock

Further information

Information on the packaging

<https://support.industry.siemens.com/cs/ww/en/view/109813875>

Industry Mall (Online ordering system)

<https://mall.industry.siemens.com/mall/en/en/Catalog/product?mlfb=3WL1232-4NG35-4GA4-Z F02+K07+R15+R21>

Service&Support (Manuals, Certificates, Characteristics, FAQs,...)

<https://support.industry.siemens.com/cs/ww/en/ps/3WL1232-4NG35-4GA4-Z F02+K07+R15+R21>

Image database (product images, 2D dimension drawings, 3D models, device circuit diagrams, ...)

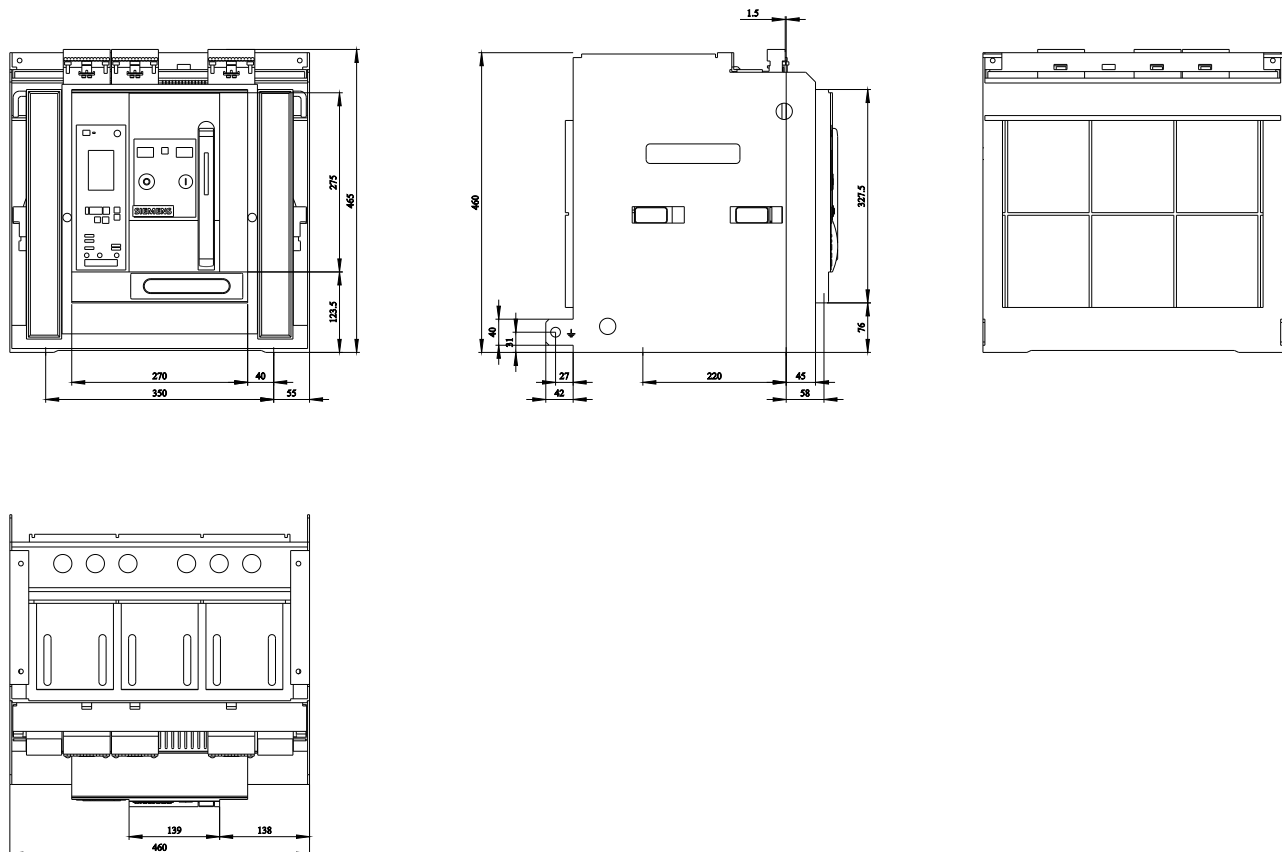
http://www.automation.siemens.com/bilddb/cax_en.aspx?mlfb=3WL1232-4NG35-4GA4-Z F02+K07+R15+R21

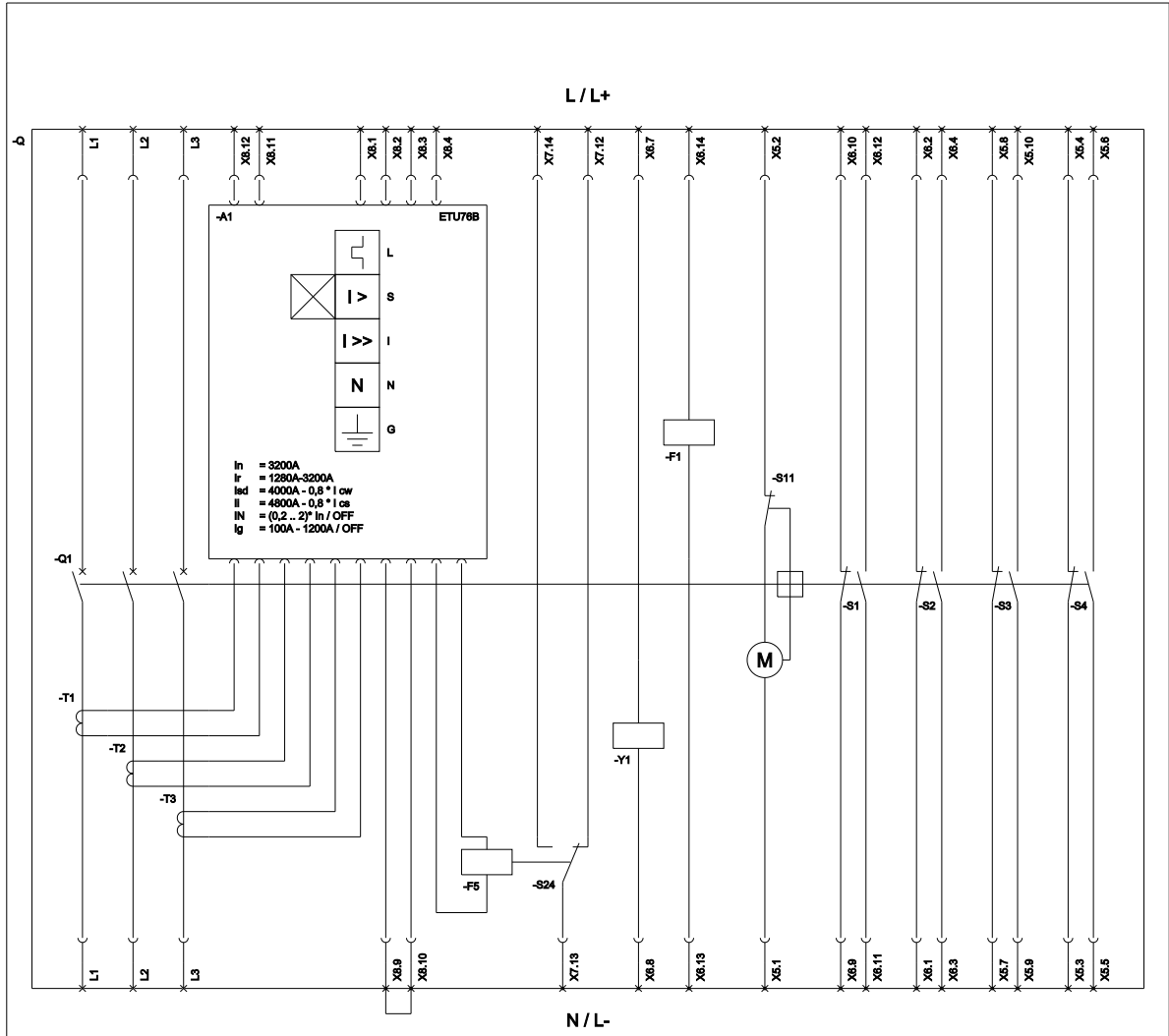
CAX-Online-Generator

<http://www.siemens.com/cax>

Tender specifications

<http://www.siemens.com/specifications>





L (Long Time Delay / Überlastschutz); S (Short Time Delay / Kurzschlussschutz, kurzzeitverzögerter); I (Instantaneous / Kurzschlussschutz, unverzögerter); N (Neutral Protection / Neutralleiterschutz);
 G (Ground Fault Protection / Erdschussschutz); S11 (Internal motor shutdown switch, if spring is tensioned / Interne Motorschaltvorrichtung, wenn Feder gespannt); F1 (1st auxiliary release / Erster Hilfsauslöser);
 F5 (Magnet for trip unit / Anzugs magnet); S1 - S8 (Auxiliary switch / Hilfschalter); S24 (1st trip signalling switch K07 (Reset position) / Erster Ausgabelöschschalter K07 (Reset Position));
 Y1 (Choking coil / Einschaltmagnet);

last modified:

3/26/2024

