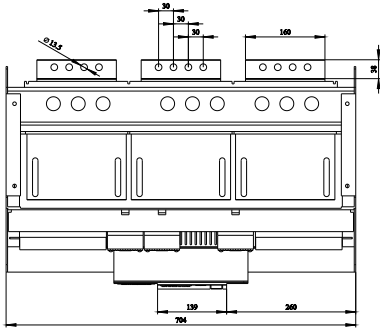
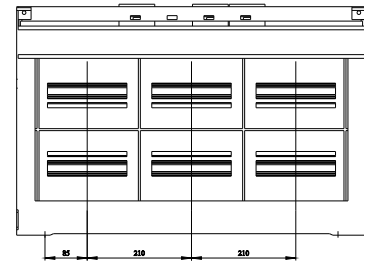
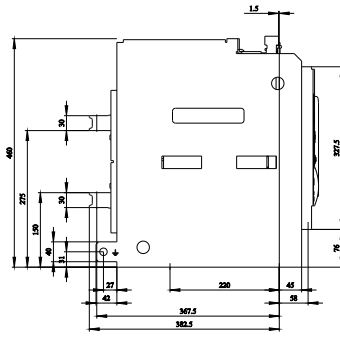
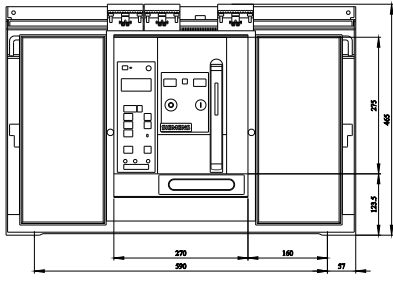
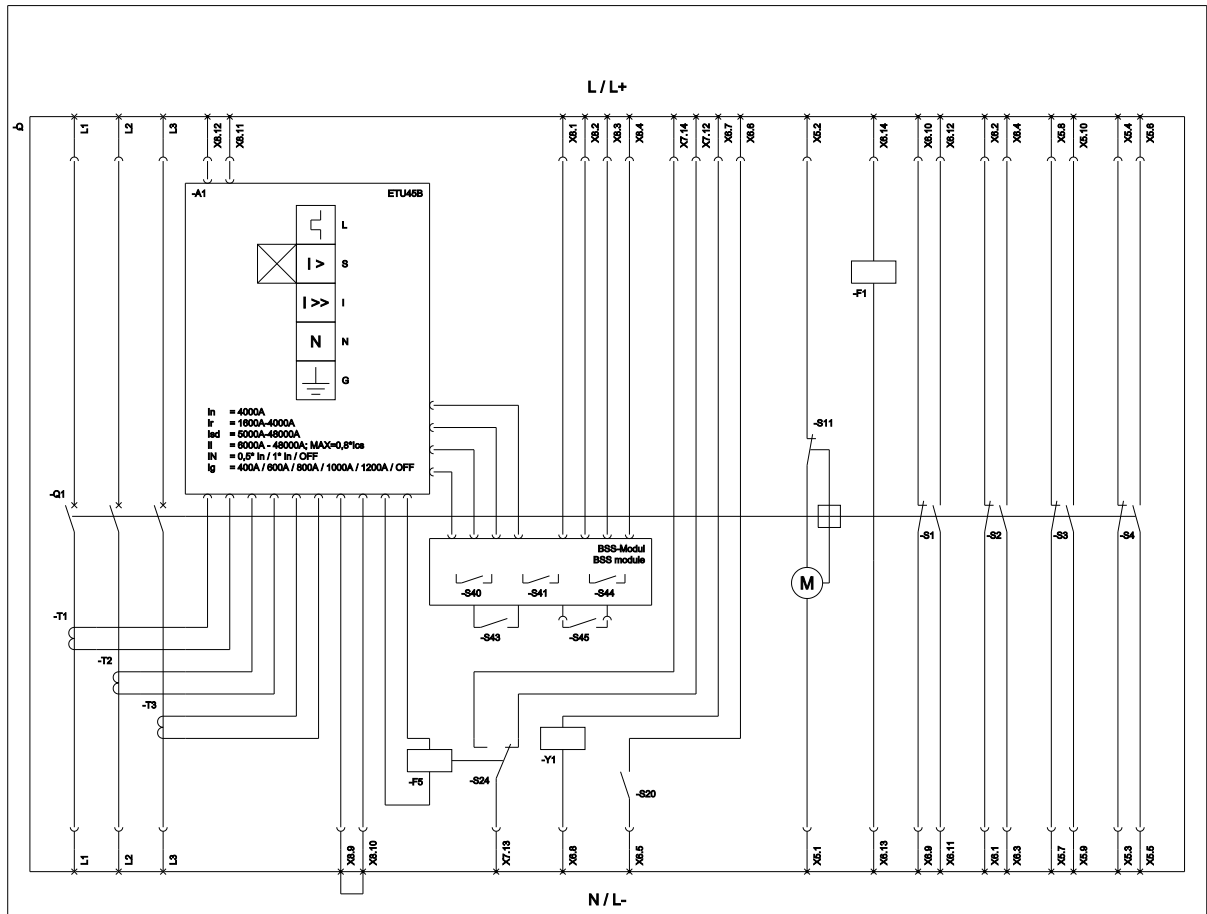


withdrawable circuit breaker with guide frame 3-pole, size III, IEC In=4000A to 690V, AC50/60Hz Icu=100kA at 500V rear connection horizontal Overcurrent release ETU 45 LSING protection adjustable 0.4-1 in with display and cubicle bus with ground fault protection Opt.: Comm./measuring func./ZSS Motorized/manual operating mechanism with spring charging motor AC 50/60 Hz 208-240 V or 220-250 V DC Activation AC 50/60 Hz 230 V, 220 V DC With 1st auxiliary release Shunt release "F", F1 50/60 Hz 230 V AC/220 V DC, 100% on-load factor without 2nd auxiliary release 4NO+4NC C22= Ready indicator F01= Breaker status sensor without COM15 PROFIBUS module K07= Tripped signaling contact, 1 CO not possible with option F02

Model	
product brand name	SENTRON
product designation	ACB
design of the product	IEC 60947-2
design of the actuating element	Pushbutton
type of the driving mechanism	Manual/motorized operating mechanism with mechanical and electrical closing
type of the driving mechanism / motor drive	Yes
design of the overcurrent release	ETU45B
General technical data	
number of poles	3
size of the circuit-breaker	3
utilization category	B
circuit-breaker / Design	3WL1
Voltage	
Rated insulation voltage Ui	1 000 V
insulation voltage / rated value	1 000 V
operating voltage	
• at AC / at 50/60 Hz / rated value	690 V
Protection class	
protection class IP	IP20
protection class IP / on the front	IP20
protection function of the overcurrent release	LSING
Dissipation	
power loss [W]	
• for rated value of the current / at AC / in hot operating state / per pole	270 W
• maximum	810 W
Current	
operational current	
• at 40 °C / rated value	4 000 A
• at 45 °C / rated value	4 000 A
• at 50 °C / rated value	4 000 A
• at 55 °C / rated value	4 000 A
continuous current / rated value / maximum	4 000 A
continuous current / rated value	4 000 A
adjustable current response value current	
• of instantaneous short-circuit trip unit / minimum	6 000 A
• of instantaneous short-circuit trip unit / maximum	48 000 A
Main circuit	
operating frequency	
• 1 / rated value	50 Hz
• 2 / rated value	60 Hz
Auxiliary circuit	

number of NC contacts / for auxiliary contacts	4
number of NO contacts / for auxiliary contacts	4
<b>Suitability</b>	
suitability for use	Plant / motor protection
<b>Product details</b>	
product component	
• trip indicator	Yes
• voltage trigger	Yes
• undervoltage release	No
design of the auxiliary switch	4 NO + 4 NC
product extension / optional / motor drive	No
<b>Product function</b>	
product function	
• grounding protection	Yes
• phase failure detection	Yes
<b>Display and operation</b>	
display version	WITH 4-LINE DISPLAY
<b>Short circuit</b>	
breaking capacity operating short-circuit current (Ics)	
• at 415 V / rated value	100 kA
• at 500 V / rated value	100 kA
• at 690 V / rated value	85 kA
breaking capacity maximum short-circuit current (Icu)	
• at 415 V / rated value	100 kA
• at 500 V / rated value	100 kA
• at 690 V / rated value	85 kA
<b>Connections</b>	
arrangement of electrical connectors / for main current circuit	Main connection rear side horizontal
type of electrical connection / for main current circuit	busbar connection
<b>Mechanical Design</b>	
height	466.5 mm
width	704 mm
depth	456 mm
fastening method	drawer unit
<b>Environmental conditions</b>	
ambient temperature / during operation	
• minimum	-20 °C
• maximum	55 °C
ambient temperature / during storage	
• minimum	-40 °C
• maximum	70 °C
<b>Further information</b>	
<b>Industry Mall (Online ordering system)</b> <a href="https://mall.industry.siemens.com/mall/en/en/Catalog/product?mlfb=3WL1340-4FG36-4GA4-Z_C22+F01+K07">https://mall.industry.siemens.com/mall/en/en/Catalog/product?mlfb=3WL1340-4FG36-4GA4-Z_C22+F01+K07</a>	
<b>Service&amp;Support (Manuals, Certificates, Characteristics, FAQs,...)</b> <a href="https://support.industry.siemens.com/cs/ww/en/ps/3WL1340-4FG36-4GA4-Z_C22+F01+K07">https://support.industry.siemens.com/cs/ww/en/ps/3WL1340-4FG36-4GA4-Z_C22+F01+K07</a>	
<b>Image database (product images, 2D dimension drawings, 3D models, device circuit diagrams, ...)</b> <a href="http://www.automation.siemens.com/bilddb/cax_en.aspx?mlfb=3WL1340-4FG36-4GA4-Z_C22+F01+K07">http://www.automation.siemens.com/bilddb/cax_en.aspx?mlfb=3WL1340-4FG36-4GA4-Z_C22+F01+K07</a>	
<b>CAx-Online-Generator</b> <a href="http://www.siemens.com/cax">http://www.siemens.com/cax</a>	
<b>Tender specifications</b> <a href="http://www.siemens.com/specifications">http://www.siemens.com/specifications</a>	





L (Long Time Delay / Überlastschutz), S (Short Time Delay / Kurzschlusschutz, Innenüberwacher), I (Quasiinverser / Kurzschlusschutz, unterwärtiger), N (Neutral Protection / Neutralleiterwache), G (Ground Fault Protection / Schutzbleiwache),  
 S11 (Internal motor shutdown switch, if tapping is terminated / Interner Motorschutzschalter, wenn Fehler gesichert), F1 (1st auxiliary release / Erste Hilfsfunktion), P5 (Maglock for trip unit / Auslösemaglock), S1 - S8 (Auxiliary switch / Hilfschalter),  
 S20 (Ready to close signalling switch / Einschaltfertigkeitsmeldekontakt); S24 (1st trip signalling switch / Erste Ansperrmeldekontakt K07 (Reset Position)); Y1 (Clotting coil / Einschaltmagnet);

last modified:

10/21/2022

