

**SCM-I 3CO N****Weidmüller Interface GmbH & Co. KG**

Klingenbergstraße 26

D-32758 Detmold

Germany

www.weidmueller.com

**Product image**

Similar to illustration

relays sockets for RIDERSERIES RCM relays

- 2, 3 and 4 CO contacts
- Screw and PUSH IN connection
- Standard and low heights

**General ordering data**

Version	RIDERSERIES RCM, Relay bases, Number of contacts: 3, CO contact, Continuous current: 10 A, Screw connection
Order No.	<a href="#">8869410000</a>
Type	SCM-I 3CO N
GTIN (EAN)	4032248606375
Qty.	10 pc(s).

Creation date March 29, 2021 11:24:26 PM CEST

Catalogue status 12.03.2021 / We reserve the right to make technical changes.

## SCM-I 3CO N

Weidmüller Interface GmbH &amp; Co. KG

Klingenbergstraße 26

D-32758 Detmold

Germany

www.weidmueller.com

## Technical data

## Dimensions and weights

Depth	41.5 mm	Depth (inches)	1.634 inch
Height	73.5 mm	Height (inches)	2.894 inch
Net weight	51.141 g	Width	27.2 mm
Width (inches)	1.071 inch		

## Temperatures

Storage temperature	-40 °C...70 °C	Operating temperature	-40 °C...70 °C
Humidity	40 °C / 93 % rel. humidity, no condensation		

## Environmental Product Compliance

REACH SVHC	Lead 7439-92-1
------------	----------------

## Rated data UL

Certificate No. (cURus)	E223759
-------------------------	---------

## Load side

Continuous current	10 A	Max. switching voltage, AC	400 V
Rated switching voltage	250 V AC		

## Contact data

Contact type	3 CO contact
--------------	--------------

## General data

Rail	TS 35	Colour	black
UL 94 flammability rating	V-0		

## Insulation coordination

Creepage and clearance distance input – output	≥ 4 mm	Dielectric strength of neighbouring contacts	2.5 kV <sub>eff</sub> / 1 Min.
Dielectric strength of open contact	1.2 kV <sub>eff</sub> / 1 min.	Dielectric strength, Input/Output	2.5 kV <sub>eff</sub> / 1 Min.
Insulating material group	IIIa	Pollution severity	2
Protection degree	IP20	Rated voltage	250 V
Surge voltage category	III	Type of isolation at input and output	Basic insulation
Type of isolation at neighbouring contacts	Basic insulation		

## Further details of approvals / standards

Standards	IEC 61810-1, UL508	Certificate No. (CSA)	249409-2295474
Certificate No. (VDE)	40011762	Certificate No. (cURus)	E223759

## SCM-I 3CO N

Weidmüller Interface GmbH &amp; Co. KG

Klingenbergstraße 26

D-32758 Detmold

Germany

www.weidmueller.com

## Technical data

## Connection data

Wire connection method	Screw connection	Stripping length, rated connection	8 mm
Tightening torque, min.	0.5 Nm	Tightening torque, max.	0.7 Nm
Clamping range, rated connection	2.5 mm <sup>2</sup>	Clamping range, min.	1 mm <sup>2</sup>
Clamping range, max.	2.5 mm <sup>2</sup>	Wire cross-section, solid, min.	1 mm <sup>2</sup>
Wire cross-section, solid, max.	2.5 mm <sup>2</sup>	Wire connection cross section, finely stranded, min.	1 mm <sup>2</sup>
Wire connection cross section, finely stranded, max.	2.5 mm <sup>2</sup>	Wire connection cross-section, finely stranded with wire-end ferrules DIN 46228/4, min.	1 mm <sup>2</sup>
Wire connection cross-section, finely stranded with wire-end ferrules DIN 46228/4, max.	2.5 mm <sup>2</sup>	Conductor cross-section, flexible, AEH (DIN 46228-1), min.	1 mm <sup>2</sup>
Conductor cross-section, flexible, AEH (DIN 46228-1), max.	2.5 mm <sup>2</sup>	Wire connection cross section, finely stranded, two clampable wires, min.	1 mm <sup>2</sup>
Wire cross-section, finely stranded, two clampable wires, max.	1.5 mm <sup>2</sup>	Blade size	size PZ1

## Classifications

ETIM 6.0	EC001456	ETIM 7.0	EC001456
ECLASS 9.0	27-37-16-03	ECLASS 9.1	27-37-16-03
ECLASS 10.0	27-37-16-03	ECLASS 11.0	27-37-16-03

## Important note

Product information IP20 without connected conductor at complete opened clamping yoke connection.

## Approvals

Approvals



ROHS Conform  
 UL File Number Search E223759

## Downloads

Approval/Certificate/Document of Conformity [EU Konformitätserklärung / EU Declaration of Conformity](#)  
 Engineering Data [STEP](#)  
 Engineering Data [EPLAN, WSCAD](#)

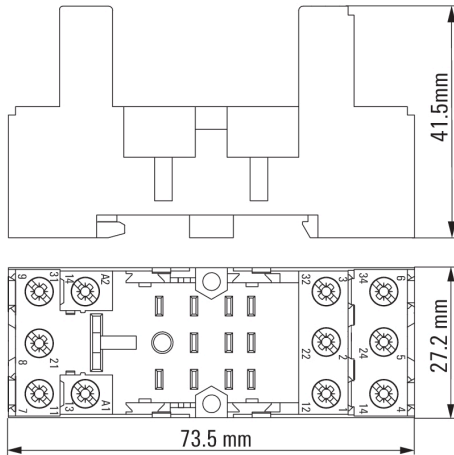
**SCM-I 3CO N**

**Weidmüller Interface GmbH & Co. KG**  
Klingenbergstraße 26  
D-32758 Detmold  
Germany

[www.weidmueller.com](http://www.weidmueller.com)

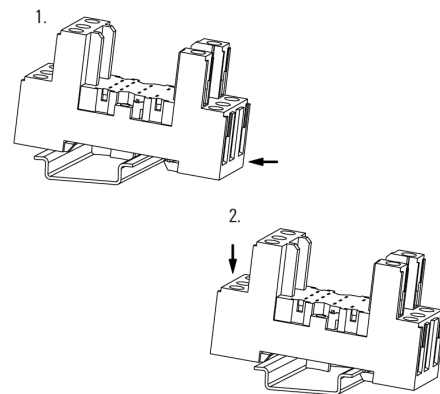
**Drawings**

**Dimensional drawing**



**Miscellaneous**

**Snap on socket**



**Unlatching socket**

