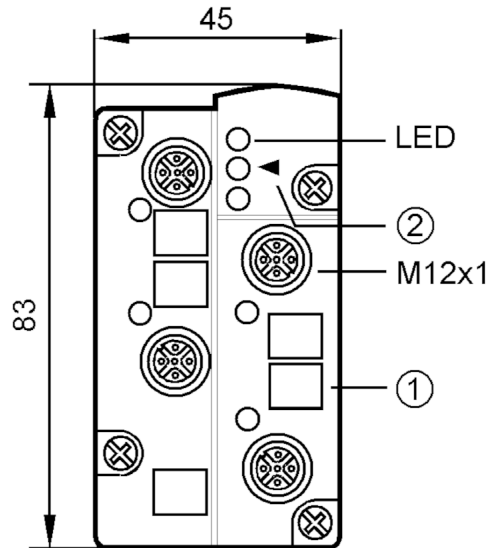




AS-Interface ClassicLine module

ClassicLineVA 4DI M12



- 1 panel for labelling
- 2 fixture infrared adapter



| Electrical data | |
|---|-----------------------------|
| Operating voltage [V] | 26.5...31.6 DC |
| Max. current consumption from AS-i [mA] | 150 |
| Inputs / outputs | |
| Number of inputs and outputs | Number of digital inputs: 4 |
| Inputs | |
| Number of digital inputs | 4 |
| Input circuit of digital inputs | PNP |
| voltage supply [V] | 18...30; (via flat cable) |
| Max. total current rating of inputs [mA] | 100 |
| Input current High [mA] | 6...10 |
| Input current Low [mA] | 0...2 |
| Min. switching level high signal [V] | 11 |
| Digital inputs protected against short circuits | yes |
| Sensor supply of the inputs | AS-i |
| Operating conditions | |
| Ambient temperature [°C] | -25...70 |
| Protection | IP 67 |



AS-Interface ClassicLine module

ClassicLineVA 4DI M12

| Tests / approvals | | | | | |
|-----------------------------------|--|-------------|-----------|-------|-----------|
| EMC | EN 50295 | | | | |
| MTTF [years] | 410 | | | | |
| AS-i classification | | | | | |
| AS-i version | 2.1 | | | | |
| AS-i addressing | IR addressing possible | | | | |
| Extended addressing mode possible | yes | | | | |
| AS-i profile | S-0.A.E | | | | |
| AS-i I/O configuration [hex] | 0 | | | | |
| AS-i ID code [hex] | A.E | | | | |
| AS-i certificate pending | yes | | | | |
| Assignment of the data bits | data bit | D0 | D1 | D2 | D3 |
| | input | 1 | 2 | 3 | 4 |
| | socket | I-1/2 | I-1/2 I-2 | I-3/4 | I-3/4 I-4 |
| | pin | 4 | 2 4 | 4 | 2 4 |
| Mechanical data | | | | | |
| Weight [g] | 113.4 | | | | |
| Type of mounting | AS-i interface to FC lower parts | | | | |
| Dimensions [mm] | 45 x 83 x 25 | | | | |
| Materials | PBT; Sealing: FKM; screws: stainless steel | | | | |
| Displays / operating elements | | | | | |
| Display | operation | LED, green | | | |
| | errors | LED, red | | | |
| | function | LED, yellow | | | |
| Accessories | | | | | |
| Accessories (optional) | Module lower part | | | | |
| Remarks | | | | | |
| Remarks | Do not connect any of the following points to an external potential: I-, I+, I-1/2, I-2, I-3/4, I-4 | | | | |
| | The connections are electrically connected with the AS-i cable. | | | | |
| Pack quantity | 1 pcs. | | | | |

AC2565



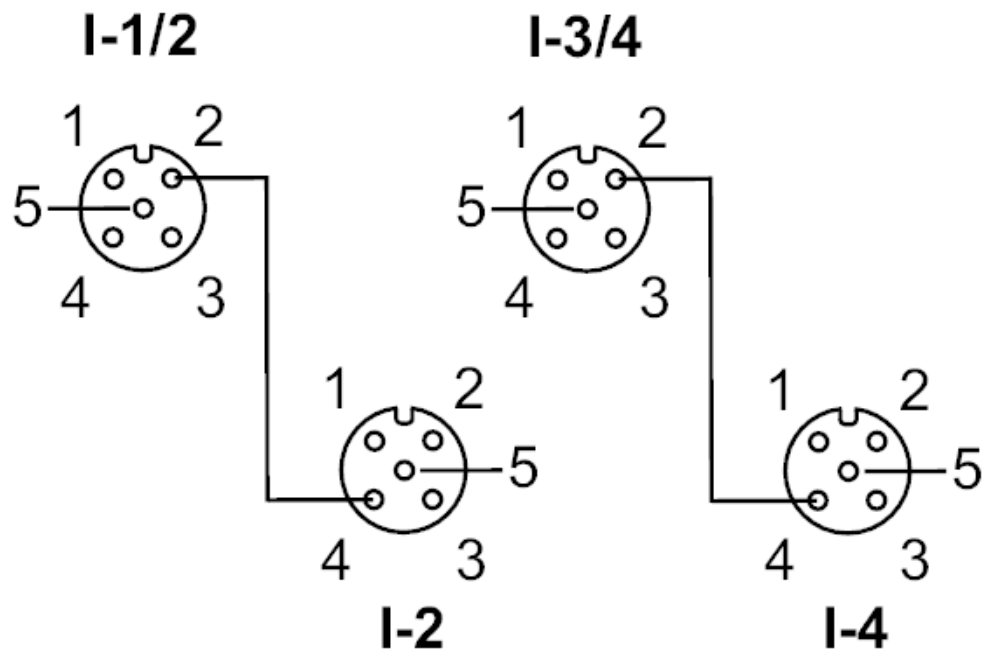
AS-Interface ClassicLine module

ClassicLineVA 4DI M12

Electrical connection

contact pins to module lower part, FK / PG:

Connection



AC2565



AS-Interface ClassicLine module

ClassicLineVA 4DI M12

| | Inputs |
|---|-------------------|
| | socket I-1/2 |
| 1 | Sensor supply L+ |
| 2 | data input 2 |
| 3 | Sensor supply L- |
| 4 | data input 1 |
| 5 | not used |
| | socket I-2 |
| 1 | Sensor supply L+ |
| 2 | not used |
| 3 | Sensor supply L- |
| 4 | data input 2 |
| 5 | not used |
| | socket I-3/4 |
| 1 | voltage supply L+ |
| 2 | data input 4 |
| 3 | Sensor supply L- |
| 4 | data input 3 |
| 5 | not used |
| | socket I-4 |
| 1 | Sensor supply L+ |
| 2 | not used |
| 3 | Sensor supply L- |
| 4 | data input 4 |
| 5 | not used |

Connector: M12