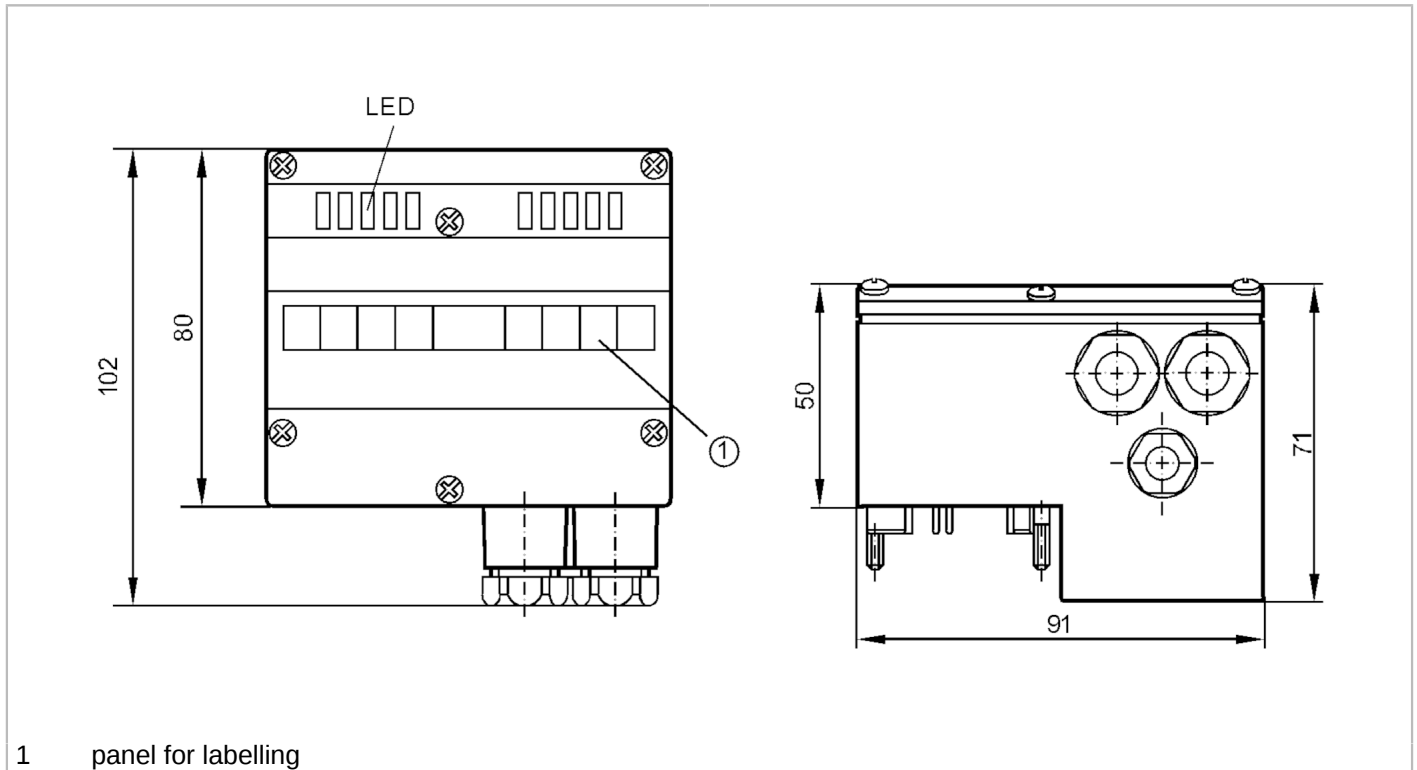


# AC2619



## AS-Interface universal module

UniversalModule 2AO(V) IP65



1 panel for labelling



### Electrical data

Operating voltage	[V]	26.5...31.6 DC
Current consumption	[mA]	4...33; (external supply)
Max. current consumption from AS-i	[mA]	33; (with external supply: 29 mA)
Max. current load total	[A]	0.5; (with external supply; with external supply: 90 mA)
Additional voltage supply	[V]	24 DC

### Outputs

Number of analogue outputs		2; (Anschluss von 2-Draht-Aktuatoren oder 4-Draht-Aktuatoren mit separater 24 V-Versorgung)
Analogue voltage output	[V]	0...10
Resolution of analogue output		16 (1 bit / 1mV)

### Operating conditions

Ambient temperature	[°C]	0...70
Storage temperature	[°C]	-25...85
Protection		IP 65

### Tests / approvals

EMC		EN 50295
MTTF	[years]	145

# AC2619



## AS-Interface universal module

UniversalModule 2AO(V) IP65

### AS-i classification

AS-i profile	S-7.3.5					
AS-i I/O configuration [hex]	7					
AS-i ID code [hex]	3.5					
AS-i certificate pending	yes					
Assignment of the parameter bits	parameter bit	Designation				
	P0	not used	/ 1	reserved	/ 0	reserved
	P1	not used	/ 1	reserved	/ 0	reserved
	P2	peripheral fault indication	: 1	activated	/ 0	deactivated
	P3	not used	/ 1	reserved	/ 0	reserved

### Mechanical data

Weight [g]	297
Type of mounting	AS-i interface to FC-E lower parts
Materials	PBT

### Displays / operating elements

Display	switching status	LED, green channels 1, 2
	operation	LED, green Voltage AS-i - AS-i
	errors	LED, red
	function	LED, green Voltage A/D converter

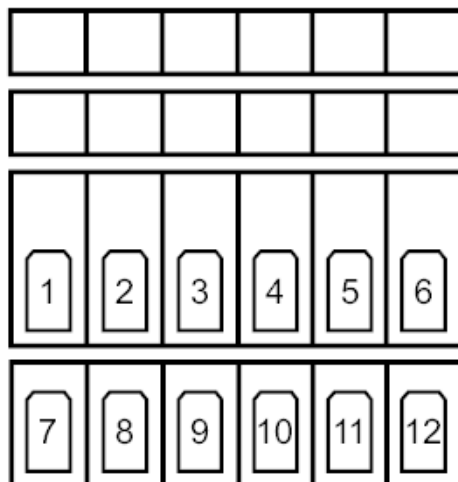
### Remarks

Pack quantity	1 pcs.
---------------	--------

### Electrical connection

cage clamps:  
contact pins to module lower part, FK / FK-E / PG:

### Connection



# AC2619



## AS-Interface universal module

UniversalModule 2AO(V) IP65

1	O+ actuator supply 2 +24V
2	V2 analogue output V
3	O- actuator supply 2 0V
4	COM 2 analogue output 2 0V
5	Shield
6	Shield
7	O+ actuator supply 1 +24V
8	V1 analogue output V
9	O- actuator supply 10V
10	COM 1 analogue output 1 0V
11	FE functional earth
12	FE functional earth