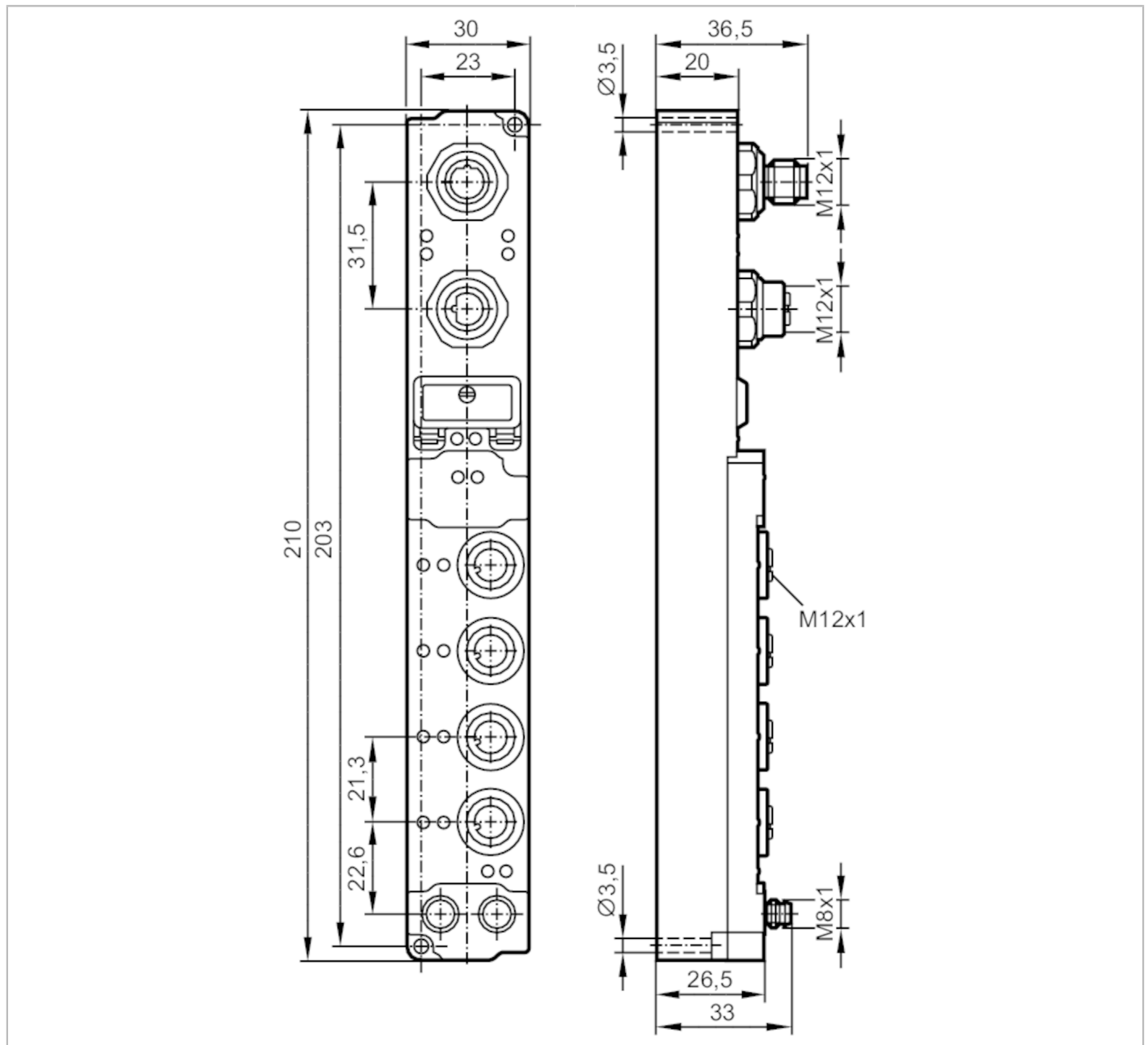


AC2638



I/O module for field applications

FieldModuleDP 4AI (V) M12



Electrical data

Operating voltage	[V]	20...29 DC
Current consumption	[mA]	< 140
Electrical separation		no

Inputs

Number of analogue inputs		4
Analogue input (voltage)	[V]	10...0
Sensor supply of the inputs		from load voltage

Accuracy / deviations

Measuring error		< ± 0,3
-----------------	--	---------

AC2638



I/O module for field applications

FieldModuleDP 4AI (V) M12

[% of the final value]

Interfaces

PROFIBUS

Transmission rate 9,6...12000 kBit/s

Operating conditions

Ambient temperature [°C] 0...55

Storage temperature [°C] -25...85

Protection IP 67

Tests / approvals

EMC	EN 50081-2	
	EN 50082-2	
Vibration resistance	IEC 68	parts 2-6 / IEC 68, parts 2-27

Mechanical data

Weight [g] 298.2

Materials housing: PA 6; potting compound: PU; contact pins: brass gold-plated

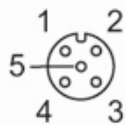
Remarks

Pack quantity 1 pcs.

Electrical connection - Process connection

	socket M12 Inputs
1	Sensor supply UL
2	input +
3	GND
4	input -
5	Screen

Connector: M12



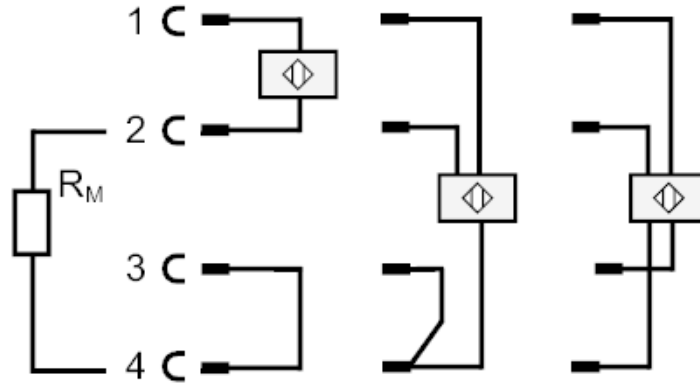
AC2638



I/O module for field applications

FieldModuleDP 4AI (V) M12

Connection



Electrical connection - voltage supply

	plug M8
1	24 V DC UB
2	24 V DC UL
3	GND
4	GND
	socket M8
1	24 V DC UB
2	24 V DC UL
3	GND
4	GND

Connector: M8



AC2638



I/O module for field applications

FieldModuleDP 4AI (V) M12

Electrical connection - PROFIBUS

	plug M12 PROFIBUS In
1	not used
2	wire A
3	GND
4	wire B
5	Screen
	socket M12 PROFIBUS Out
1	5 V DC
2	wire A
3	GND
4	wire B
5	Screen

Connector: M12

