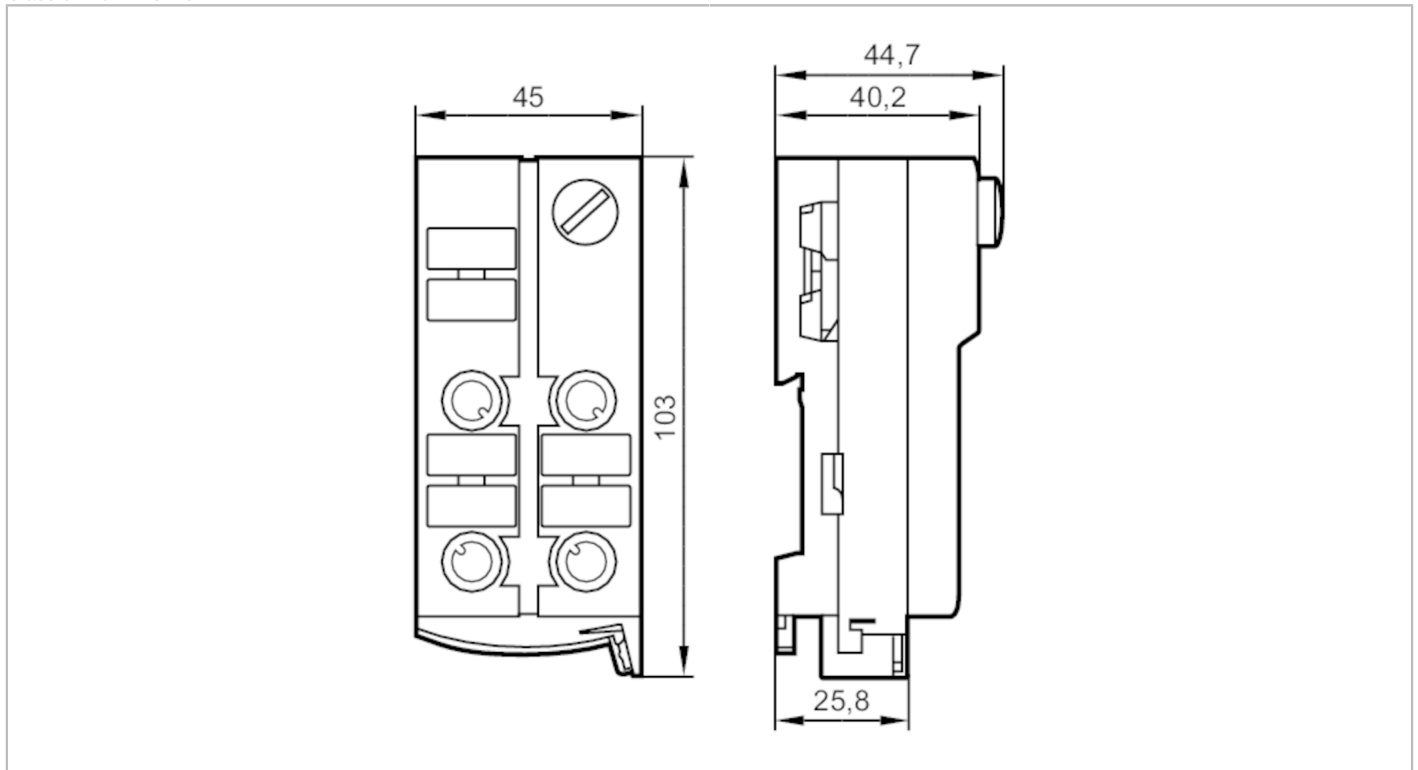


AC522A



AS-Interface ClassicLine module with quick mounting technology

ClassicLine 2AI C II 3D



Electrical data	
Operating voltage [V]	26.5...31.6 DC
Max. current consumption from AS-i [mA]	250
Reverse polarity protection	yes
Inputs / outputs	
Number of inputs and outputs	Number of analogue inputs: 2
Inputs	
Number of analogue inputs	2; (Anschluss von 2- und 3-Draht-Sensoren)
Analogue input (current) [mA]	4...20
Analogue inputs protected against short circuits	yes
Resolution of analogue input	12 bit
Sensor supply of the inputs	AS-i
Operating conditions	
Ambient temperature [°C]	-10...50
Protection	IP 50
Tests / approvals	
ATEX marking	II 3D Ex tc IIIB T80°C Dc X IP50
EMC	EN 50295
MTTF [years]	174

AC522A



AS-Interface ClassicLine module with quick mounting technology

ClassicLine 2AI C II 3D

AS-i classification	
AS-i version	2.11 + 3.0
AS-i addressing	addressing socket
Extended addressing mode possible	no
AS-i profile	S-7.3.D
AS-i I/O configuration [hex]	7
AS-i ID code [hex]	3.D
AS-i certificate pending	yes

Mechanical data	
Weight [g]	229.2
Type of mounting	AS-i flat cables directly connectable
Materials	PA; piercing contacts: CuSn6 nickel-plated and tin-plated;

Displays / operating elements		
Display	operation	LED, green Voltage AS-i
	errors	LED, red
	function	LED, yellow channels AI1, AI2

Accessories	
Accessories (supplied)	lower part
Accessories (optional)	Protective cap: M12, E73004 Impact protection housing, E7000A

Remarks	
Remarks	Mechanical protection has to be implemented. Otherwise the unit must be installed together with the impact protection housing (E7000A). When the actuators are supplied from AS-i the load must not exceed a maximum of 200 mA. There is an electrical connection between the sensor and AS-i.
Pack quantity	1 pcs.

Electrical connection
quick mounting technology for AS-i flat cable: ; three orientations possible

- 1 Sensor supply +24V
- 2 AI + analogue input
- 3 Sensor supply 0V / analogue input AI-
- 5 functional earth

Connector: M12

