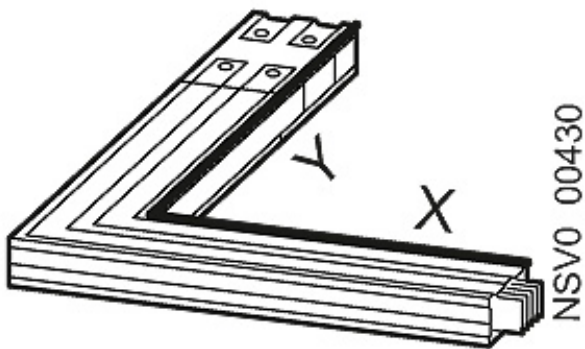


BD2C-400-LR-X*/Y* ELBOW RIGHT X/Y 0,36M-1,25M 16
0A-400A



Similar to image

General technical details:

Product designation		L unit (junction unit) for BD2 busbar trunking system
Product-type designation		BD2C-400-LR-X*/Y*
Operating current		
• for circuit 1 / at 50 Hz / for AC / rated value / maximum	A	400
• for circuit 1 / at 60 Hz / for AC / rated value / maximum	A	400
Resistance against the impulse current / at 690 V / rated value	kA	40
Short-time current resistance (I_{cw}) / at 690 V		
• limited to 1 s / rated value	kA	16
• limited to 0.1 s / rated value	kA	20
Operating frequency / rated value		
• minimum	Hz	50
• maximum	Hz	60
Operating voltage		
• at 50 Hz / at AC / rated value / maximum	V	690
• at 60 Hz / at AC / rated value / maximum	V	690
Insulation voltage		
• for AC / rated value	V	690
• for DC / rated value	V	800

Number of conductors		5
Number of conductors / without PE		4
Product component / fire sealing		No

Mechanical design:

Conductor cross section / of the (PE)N	mm ²	234
Mounting type		ceiling / wall
Width	mm	1,250
Height	mm	68
Color		light grey

Busbar:

Configuration of the busbars		L1,L2,L3,L3,N
Material / of the busbar		copper

Busway section:

Length of the X-dimension / of the busbar box junction unit	• minimum	m	0.36
	• maximum	m	1.25
Length of the Y-dimension / of the busbar box junction unit	• minimum	m	0.36
	• maximum	m	1.25

Ambient conditions:

Protection class IP		IP52
---------------------	--	------

Further information:

Information- and Downloadcenter (Catalogs, Brochures,...)

<http://www.siemens.com/lowvoltage/catalogs>

Global Industry Mall (Online ordering system)

<http://www.siemens.com/lowvoltage/mall>

Service&Support (Manuals, Certificates, Characteristics, FAQs,...)

<http://support.automation.siemens.com/WWW/view/en/BVP:261946/all>

Image database (product images, 2D dimension drawings, 3D models, device circuit diagrams, ...)

http://www.automation.siemens.com/bilddb/cax_en.aspx?mlfb=BVP:261946

last change:

Jul 7, 2014