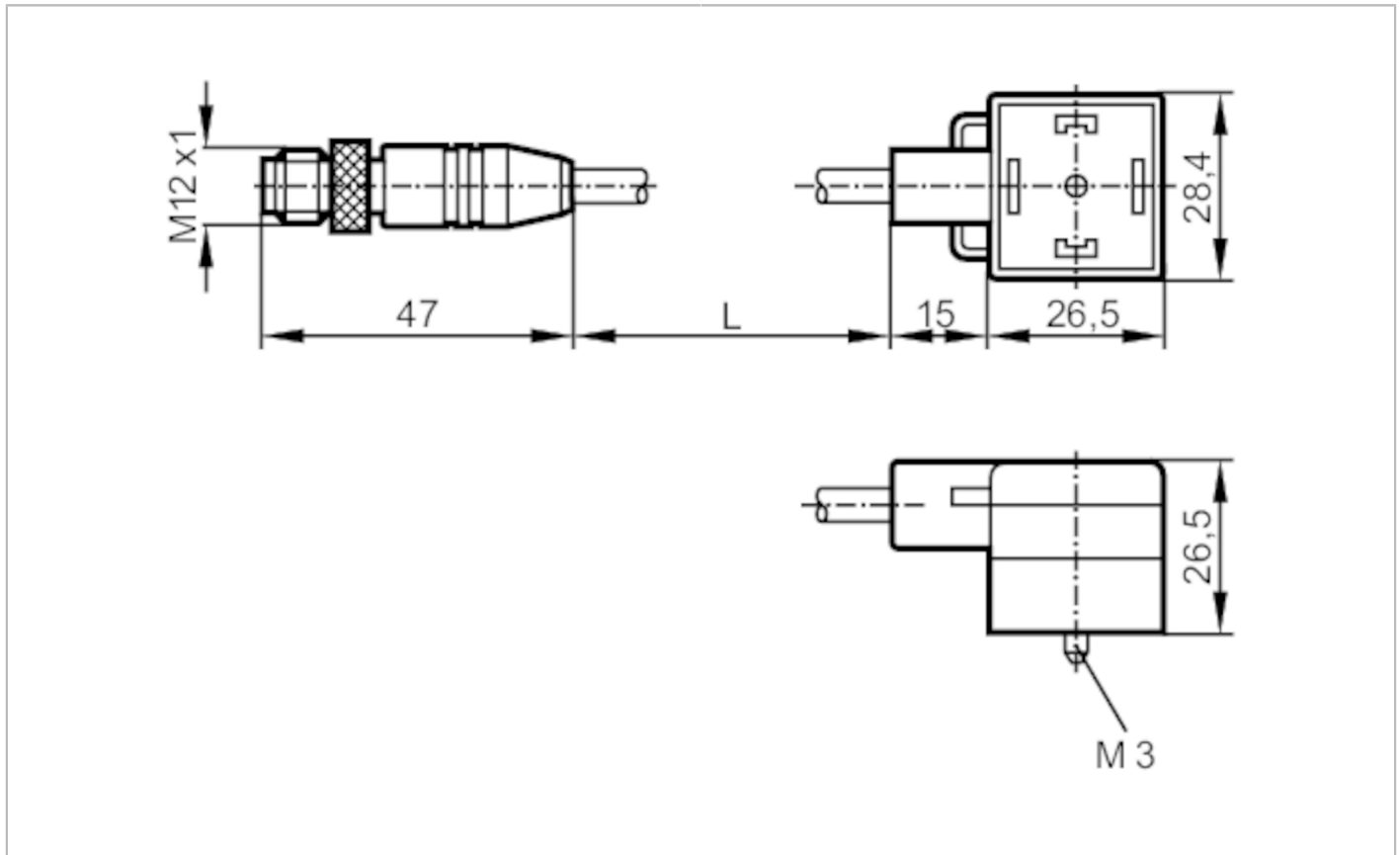


# E11277



## Jumper cable with valve plug

VVDAA040MSS0,75H03STGH020MSS



Application	
Application	current measurement
Electrical data	
Operating voltage [V]	< 24 AC/DC
Operating conditions	
Ambient temperature [°C]	-40...90
Protection	IP 67; IP 69K
Mechanical data	
Weight [g]	85.8
Materials	TPU
Material nut	brass / brass
Electrical connection	
Connection	2.
Accessories	
Accessories (supplied)	screw panel for labelling
Remarks	
Pack quantity	1 pcs.
Electrical connection - 1.plug	

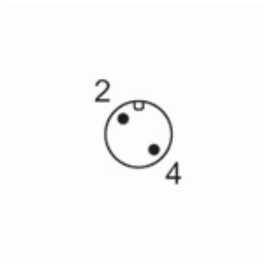
Connector: 1 x M12, straight; Moulded body: TPU; Locking: brass, nickel-plated; Tightening torque: 0.5 Nm

# E11277

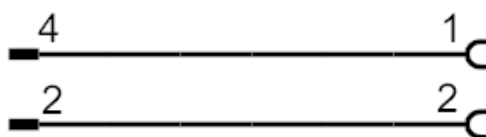


## Jumper cable with valve plug

VVDAA040MSS0,75H03STGH020MSS



### Connection



### Electrical connection - 2.

Cable: 0.75 m, PUR; 2 x 0.75 mm<sup>2</sup>

### Electrical connection - 3.socket

Connector: 1 x valve type A DIN, angled; Moulded body: TPU; Locking: brass, nickel-plated; Tightening torque: 0.5 Nm

