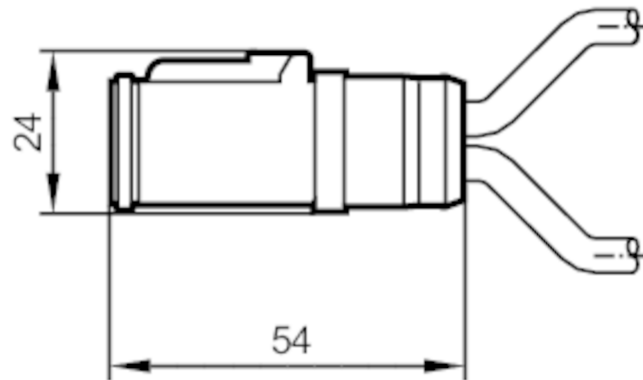


# E12552



## Y connection cable

YDOGS040PLS0001H02



Application		
Free from silicone	yes	
Electrical data		
Operating voltage [V]	12...24 DC	
Protection class	III	
Max. current load total [A]	4	
Operating conditions		
Ambient temperature [°C]	-40...80	
Ambient temperature (moving) [°C]	-20...80	
Protection	IP 67; (mating connector plugged in)	
Mechanical data		
Weight [g]	89.8	
Dimensions [mm]	24 x 24 x 54	
Materials	PA	
Number of ports splitter box	2	
Drag chain suitability	bending radius for flexible use	min. 10 x cable diameter
	travel speed	max. 3.3 m/s for a horizontal travel length of 5 m and max. acceleration of 5 m/s <sup>2</sup>
	bending cycles	> 5 Mio.
	torsional strain	± 180 °/m
Drag chain suitability	yes	
Remarks		
Pack quantity	1 pcs.	

# E12552



## Y connection cable

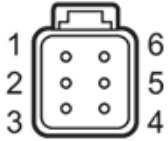
YDOGS040PLS0001H02

### Electrical connection

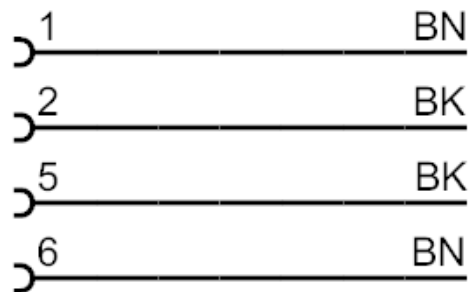
Cable: 1 m, PUR, Halogen-free, black, Ø 5.4 mm; 2 x 0.50 mm<sup>2</sup> (28 x Ø 0.15 mm )

### Electrical connection - socket

Connector: 1 x DEUTSCH connector; Contacts: nickel-plated



### Connection



Core colours :

BK = black  
BN = brown