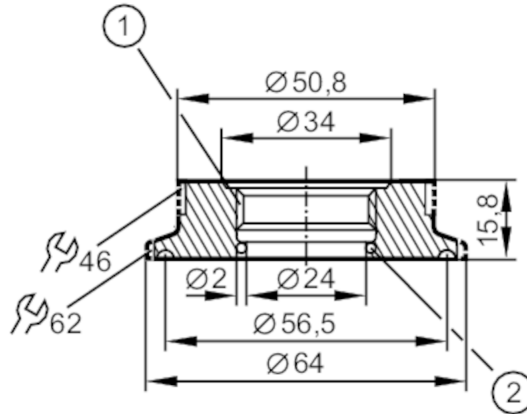


# E33009



## Process adapter Tri-Clamp

ADA IFM-CLAMP ISO2852/2 O-RG



- 1 Aseptoflex thread
- 2 O-ring 24 x 2 FPM 80SH



EC 1935/2004 FDA

Application	
Installation	with O-ring
Pressure rating [bar]	16
Mechanical data	
Weight [g]	246.8
Type of mounting	with O-ring
Materials	stainless steel (1.4404 / 316L); O-ring: EPDM
Sensor connection	Aseptoflex
Process connection	Clamp 2" ISO 2852
Surface characteristics Ra/Rz of the wetted parts	0.4 / 4
Hygienic equipment class to DIN 11866	H4
Accessories	
Accessories (optional)	O-rings: 5 x EPDM, E30054 O-rings: 5 x FPM (Viton), E30053
Remarks	
Pack quantity	1 pcs.