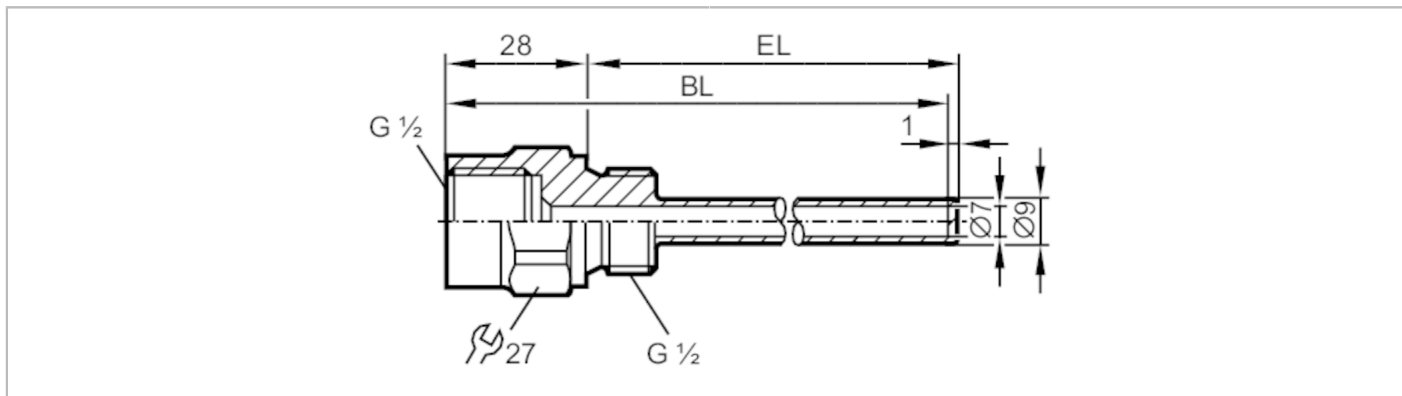


# E37630



## Thermowell for temperature sensors

THERMOWELL, D6/ G1/2 /L=200



### Application

Pressure rating	[bar]	100
Note on pressure rating		< 250 °C

### Mechanical data

Weight	[g]	155.6
Materials		stainless steel (1.4571/316Ti)
Sensor connection		G 1/2 Ø 6 mm
Installation length EL	[mm]	174
Bore length BL	[mm]	201

### Remarks

Pack quantity		1 pcs.
---------------	--	--------