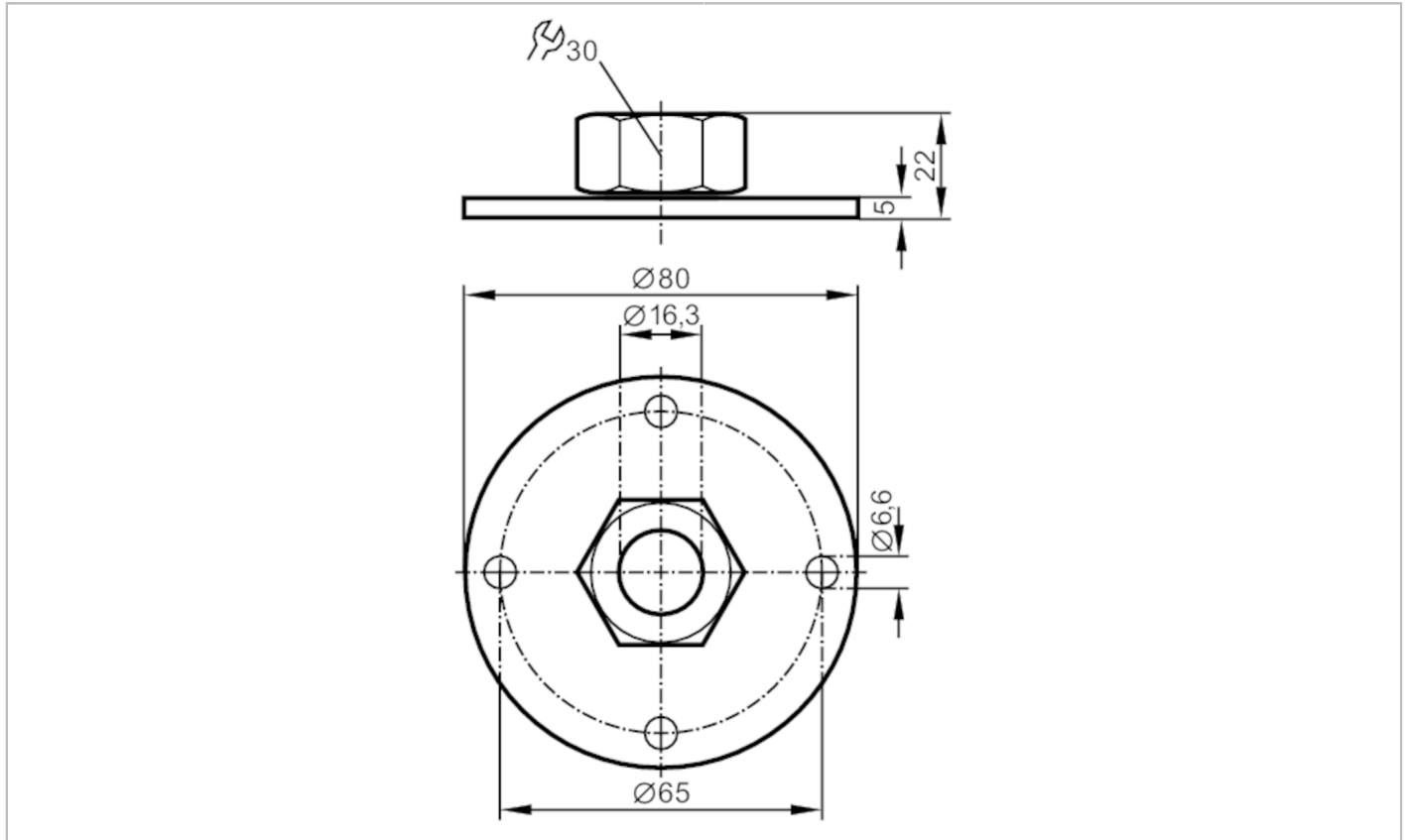


E43006



Flange plate for level sensors

FLANGE PLATE 65-80 D16



Application	
Design	for capacitive level sensors LK, LI, LT, LL
Pressure rating [bar]	0.5
Mechanical data	
Weight [g]	144.6
Materials	flange: aluminium anodised; Lock nut: stainless steel; spacer: brass; clamping ring: FKM
Tightening torque [Nm]	6...9
Remarks	
Pack quantity	1 pcs.