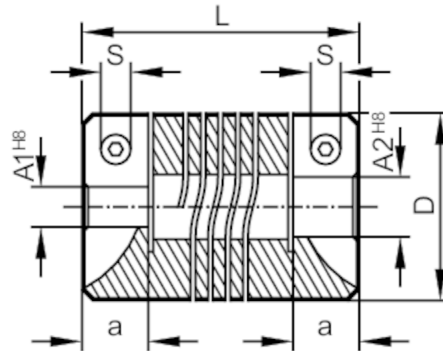


E60207



Flexible coupling for encoders

COUPLING 25-6-95-32-KV



| Mechanical data | |
|--------------------------------|---|
| Weight | [g] 34.4 |
| Materials | aluminium |
| External diameter D | [mm] 25 |
| inside diameter A1 | [mm] 6 |
| inside diameter A2 | [mm] 9,525 mm / 3/8" / 3/8 inch |
| Length L | [mm] 32 |
| depth of the clamping hub | [mm] 8 |
| Clamp screw | [mm] M3 x 10 ISO4762 2x |
| Max. revolution, mechanical | [U/min] 6000 |
| Max. axial shaft misalignment | [mm] ± 0,5 |
| Max. radial shaft misalignment | [mm] ± 0,35 |
| Max. angular displacement | [°] ± 4,0 |
| Remarks | |
| Remarks | The data indicated apply to couplings with the above hub borings at an ambient temperature of 23 °C. The values of radial, angular and axial displacement are maximum values which must not reach their maximum simultaneously while in operation. |
| Pack quantity | 1 pcs. |