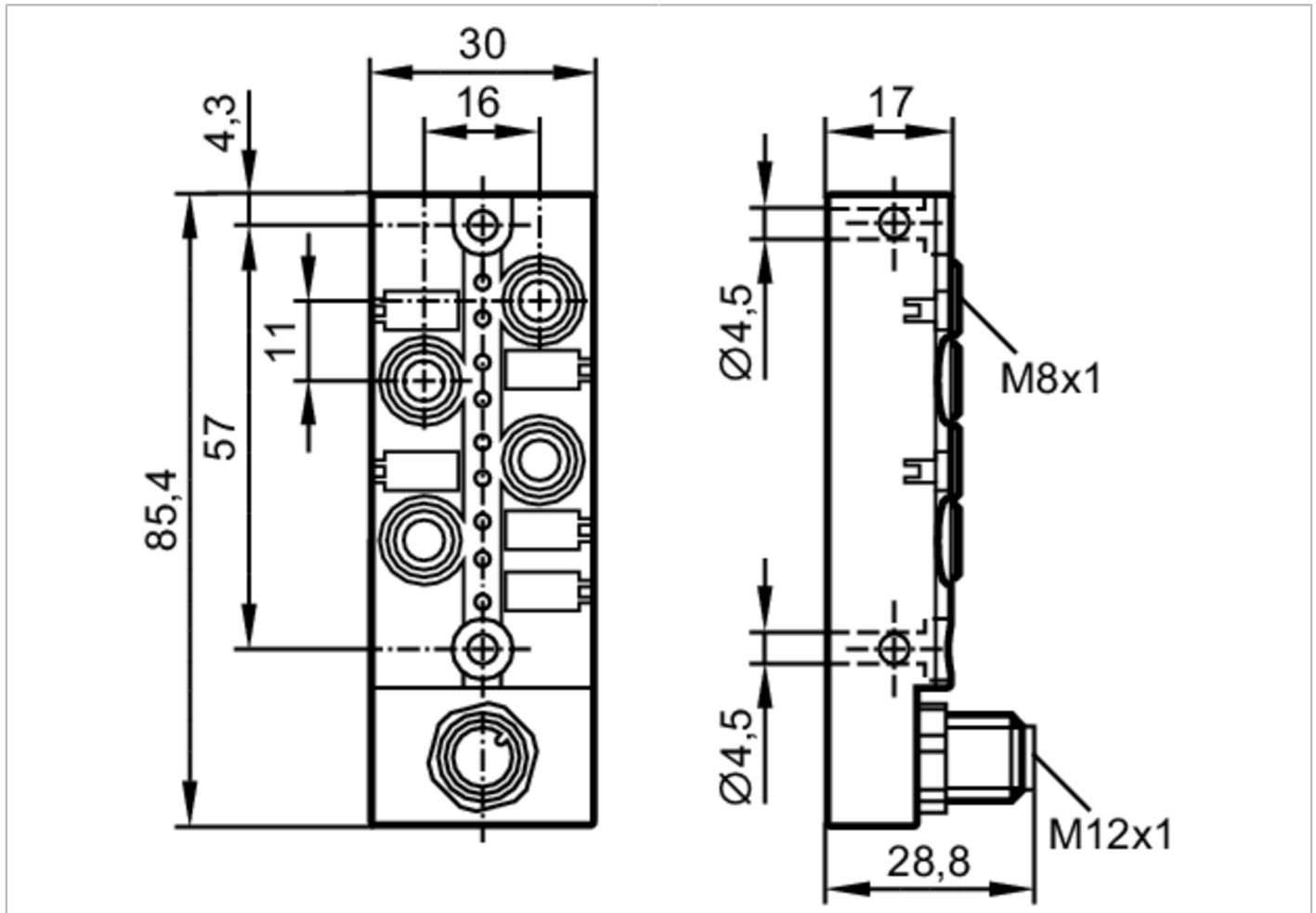


EBC044



Splitter box

ZDO4F035MSS0000-STGH120MSS



Electrical data

Operating voltage	[V]	15...30 DC
Protection class		III
Max. current load per module/slot	[A]	1
Max. current load total	[A]	1

Outputs

Electrical design	PNP
-------------------	-----

Operating conditions

Ambient temperature	[°C]	-25...80
Ambient temperature (moving)	[°C]	-5...60
Protection		IP 67

Mechanical data

Weight	[g]	86.8
Dimensions	[mm]	17 x 30 x 85.4
Materials		PBT-GF20; brass nickel-plated
Number of ports splitter box		4
Connector type		M8

EBC044



Splitter box

ZDO4F035MSS0000-STGH120MSS

Displays / operating elements

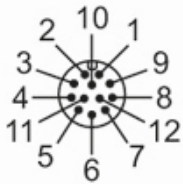
Display	switching status	4 x LED, yellow
	operation	1 x LED, green

Remarks

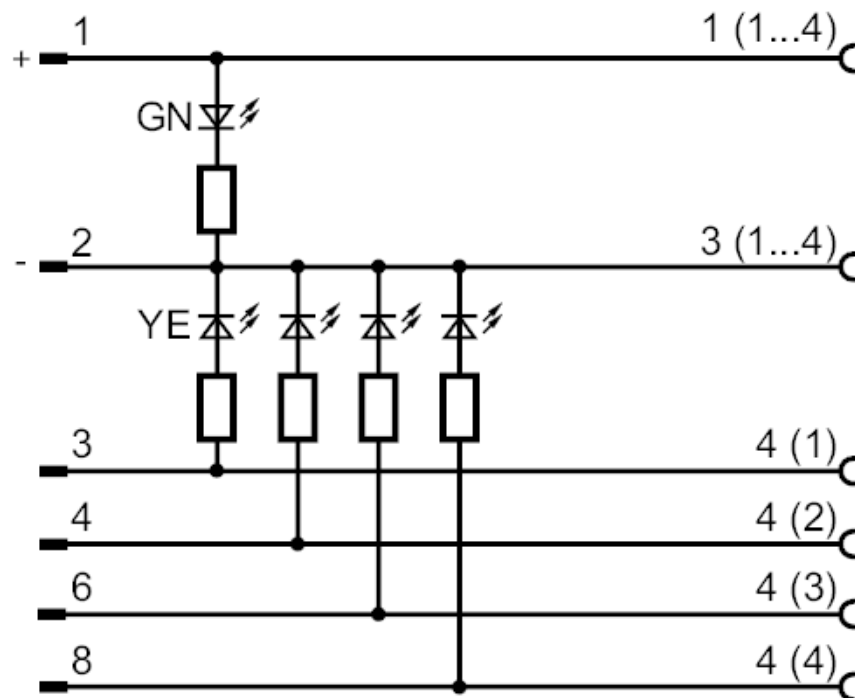
Pack quantity	1 pcs.
---------------	--------

Electrical connection - Connection

Connector: 1 x M12; Moulded body: PBT-GF 20 / brass, nickel-plated; Contacts: gold-plated; Tightening torque: 0.8...1.5 Nm



Connection



Electrical connection - slot

Connector: 4 x M8; Moulded body: PBT-GF 20 / brass, nickel-plated; Contacts: gold-plated; Tightening torque: 0.8...1.5 Nm

EBC044

Splitter box

ZDO4F035MSS0000-STGH120MSS

