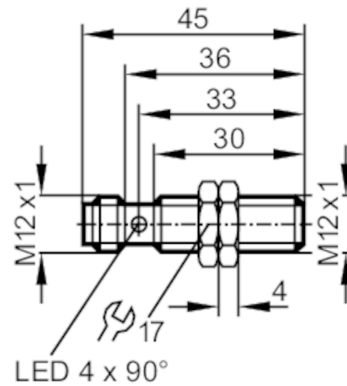


IF5994



Inductive sensor

IFB2002-FRKG/US-104-IRF



Electrical data		
Operating voltage [V]		10...36 DC
Protection class		II
Reverse polarity protection		yes
Outputs		
Electrical design		PNP/NPN
Output function		normally open / normally closed; (selectable)
Max. voltage drop switching output DC [V]		4.6
Minimum load current [mA]		4
Max. leakage current [mA]		0.8
Permanent current rating of switching output DC [mA]		150
Switching frequency DC [Hz]		1200
Short-circuit protection		yes
Type of short-circuit protection		pulsed
Overload protection		yes
Detection zone		
Sensing range [mm]		2
Real sensing range S_r [mm]		$2 \pm 10\%$
Operating distance [mm]		0...1.6
Accuracy / deviations		
Correction factor		steel: 1 / stainless steel: 0.7 / brass: 0.5 / aluminium: 0.4 / copper: 0.3
Hysteresis [% of S_r]		3...15
Switch point drift [% of S_r]		-10...10
Operating conditions		
Ambient temperature [°C]		-25...80
Protection		IP 67

IF5994



Inductive sensor

IFB2002-FRKG/US-104-IRF

Tests / approvals		
EMC	EN 60947-5-2 EN 55011	class B
MTTF [years]	2330	
Mechanical data		
Weight [g]	24.8	
Housing	threaded type	
Mounting	flush mountable	
Dimensions [mm]	M12 x 1 / L = 45	
Thread designation	M12 x 1	
Materials	brass white bronze coated; PC	
Displays / operating elements		
Display	switching status	4 x 90° LED, yellow
Accessories		
Accessories (supplied)	lock nuts: 2	
Remarks		
Pack quantity	1 pcs.	

Electrical connection - plug

Connector: 1 x M12



normally open

