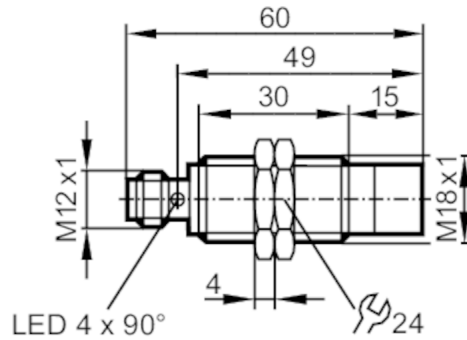


# IGS307



## Inductive sensor

IGK3015-APKG/K1/V4A/US-104



Application		
Magnetic-field immune		yes
Max. magnetic field immunity [mT]		300
Electrical data		
Operating voltage [V]		10...30 DC
Current consumption [mA]		< 20
Protection class		III
Reverse polarity protection		yes
Outputs		
Electrical design		PNP
Output function		normally closed
Max. voltage drop switching output DC [V]		2.5
Permanent current rating of switching output DC [mA]		100
Switching frequency DC [Hz]		2000
Short-circuit protection		yes
Overload protection		yes
Detection zone		
Sensing range [mm]		15
Real sensing range Sr [mm]		15 ± 10 %
Operating distance [mm]		0...12.15
Increased sensing range		yes
Accuracy / deviations		
Correction factor		steel: 1 / stainless steel: 1 / brass: 1 / aluminium: 1 / copper: 1
Hysteresis [% of Sr]		3...15
Switch point drift [% of Sr]		-10...10
Correction factor K = 1		yes
Operating conditions		
Ambient temperature [°C]		-40...85
Protection		IP 65; IP 66; IP 67; IP 68; IP 69K

# IGS307



## Inductive sensor

IGK3015-APKG/K1/V4A/US-104

Tests / approvals		
EMC	EN 61000-4-2 ESD	4 kV CD / 8 kV AD
	EN 61000-4-3 HF radiated	10 V/m
	EN 61000-4-4 Burst	2 kV
	EN 61000-4-6 HF conducted	10 V
	EN 55011	class B
Vibration resistance	EN 60068-2-6 Fc	20 g 11 ms half-sine; 3 shocks each in every direction of the 3 coordinate axes
Shock resistance	EN 60068-2-27 Ea	100 g 11 ms half-sine; 3 shocks each in every direction of the 3 coordinate axes
Continuous shock resistance	EN 60068-2-29 Eb	40 g 6 ms; 4000 shocks each in every direction of the 3 coordinate axes
Fast temperature changes	EN 60068-2-14 Na	TA = -40 °C; TB = 85 °C; t1 = 30 min; t2 = < 10 s; 50 cycles
Salt spray test	EN 60068-2-52 Kb	severity level 5 (4 test cycles)
MTTF	[years]	469
UL approval	UL Approval no.	A005
Mechanical data		
Weight	[g]	40.2
Housing		threaded type
Mounting		non-flush mountable
Dimensions	[mm]	M18 x 1 / L = 60
Thread designation		M18 x 1
Materials		stainless steel (1.4404 / 316L); sensing face: LCP white; LED window: PEI; lock nuts: stainless steel (1.4404 / 316L)
Displays / operating elements		
Display	switching status	4 x LED, yellow
Accessories		
Accessories (supplied)		lock nuts: 2
Remarks		
Pack quantity		1 pcs.
Electrical connection - plug		
Connector: 1 x M12; Contacts: gold-plated		

# IGS307



## Inductive sensor

IGK3015-APKG/K1/V4A/US-104

### Connection



### Diagrams and graphs

#### Installation

