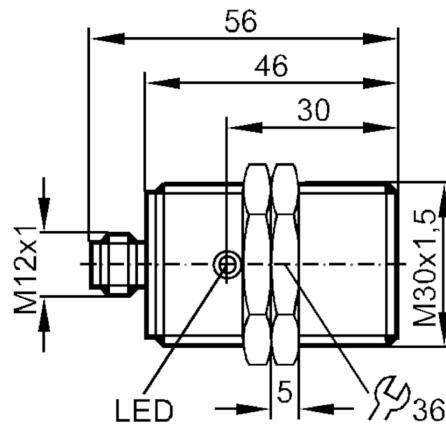


II5446



Inductive sensor

IIB3010-BPKG/US-100-DPS



Electrical data

Operating voltage	[V]	18...36 DC
Current consumption	[mA]	15; (24 V)
Protection class		III
Reverse polarity protection		yes

Outputs

Electrical design		PNP
Output function		normally open
Max. voltage drop switching output DC	[V]	2.5
Permanent current rating of switching output DC	[mA]	125; (150 (...50 °C))
Switching frequency DC	[Hz]	300
Short-circuit protection		yes
Type of short-circuit protection		pulsed
Overload protection		yes

Detection zone

Sensing range	[mm]	10
---------------	------	----

II5446



Inductive sensor

IIB3010-BPKG/US-100-DPS

Operating conditions

Ambient temperature	[°C]	-25...80
Protection		IP 67

Tests / approvals

EMC		EN 60947-5-2
MTTF	[years]	901

Mechanical data

Weight	[g]	135.2
Housing		threaded type
Mounting		flush mountable
Dimensions	[mm]	M30 x 1.5
Thread designation		M30 x 1.5
Materials		brass white bronze coated; PBT

Displays / operating elements

Display	switching status	1 x LED, yellow
---------	------------------	-----------------

Accessories

Accessories (supplied)	lock nuts: 2
------------------------	--------------

Remarks

Pack quantity	1 pcs.
---------------	--------

Electrical connection - plug

Connector: 1 x M12



Connection

