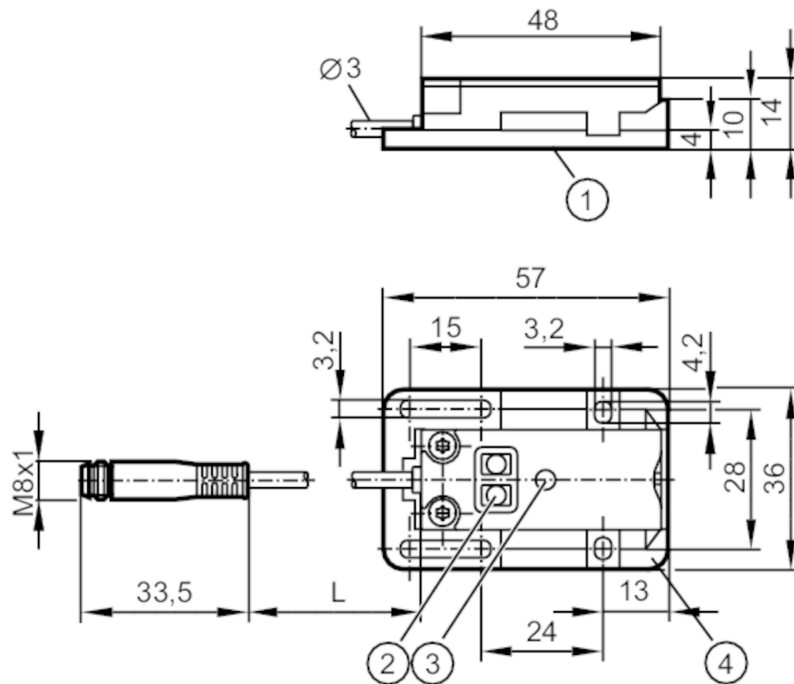


# KQ6010



## Capacitive sensor

KQ-3120NFPKG/2T/0,04M/IAS



- 1 Sensing face
- 2 programming buttons
- 3 LED
- 4 Mounting adapters E12153



Application	
Installation	detection through non-metallic container wall or on bypass pipes
Media	dry bulk material; liquids
Electrical data	
Operating voltage [V]	10...30 DC
Current consumption [mA]	< 17
Protection class	III
Reverse polarity protection	yes
Outputs	
Electrical design	PNP
Output function	normally open / normally closed; (selectable)
Max. voltage drop switching output DC [V]	2.5
Permanent current rating of switching output DC [mA]	100
Switching frequency DC [Hz]	10
Short-circuit protection	yes
Type of short-circuit protection	pulsed
Overload protection	yes

# KQ6010



## Capacitive sensor

KQ-3120NFPKG/2T/0,04M/AS

Detection zone		
Sensing range	[mm]	12
Real sensing range Sr	[mm]	12 ± 10 %
Accuracy / deviations		
Hysteresis	[% of Sr]	1...15
Switch point drift	[% of Sr]	-20...20
Interfaces		
Communication interface		IO-Link
Transmission type		COM1 (4,8 kBaud)
IO-Link revision		1.1
SDCI standard		IEC 61131-9 CDV
IO-Link device ID		371d / 000173h
Profiles		Smart Sensor
SIO mode		yes
Min. process cycle time	[ms]	100.8
Operating conditions		
Ambient temperature	[°C]	-25...80
Protection		IP 65; IP 67
Tests / approvals		
EMC	EN 61000-4-2	8 kV AD
	EN 61000-4-3	10 V/m
	EN 61000-4-4	2 kV
	EN 61000-4-6	3 V
	EN 55011	class B
Shock resistance	EN 60068-2-27	30 g 6 shocks / 11 ms half-sine (x, y, z)
Vibration resistance	EN 60068-2-6	(10...55 Hz) / 1 mm amplitude, oscillation period 5 min., 30 min. per axis at resonance or 55 Hz
Mechanical data		
Weight	[g]	31.7
Housing		rectangular
Mounting		non-flush mountable
Dimensions	[mm]	20 x 14 x 48
Materials		housing: PBT glass fibre reinforced; pushbuttons: TPE-U; cover: PC glass fibre reinforced; Adapter: PBT; inserts: brass; screw: steel galvanised
Displays / operating elements		
Display	switching status	1 x LED, yellow
Teach function		yes
Electronic lock		yes
Electrical connection		
Connection		plug
Accessories		
Accessories (supplied)		mounting adapter: 1, fitted, E12153

# KQ6010



## Capacitive sensor

KQ-3120NFPKG/2T/0,04M/AS

### Remarks

Notes	discontinued article
Pack quantity	1 pcs.

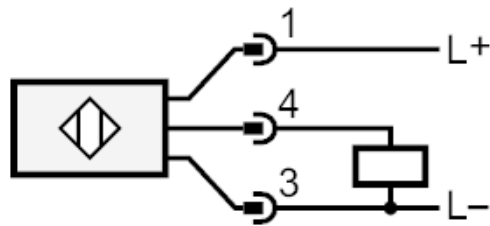
### Electrical connection - plug

Cable: 0.04 m, PVC

Connector: 1 x M8



### Connection



4: OUT / IO-Link