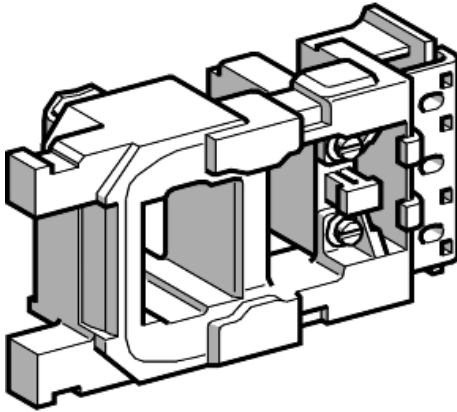


Price* : 85.76 GBP



Main

Range	TeSys
Product or component type	Contactor coil
Device short name	LX0FG
Control circuit type	AC at 50...400 Hz DC standard
[Uc] control circuit voltage	110 V AC 50...400 Hz 110 V DC
Average resistance	6.92 Ohm latching at 20 °C 1339 Ohm unlatching at 20 °C
Product compatibility	CR1F185
Operating time	35...40 ms latching 50...100 ms unlatching
Mechanical durability	1 Mcycles
Maximum operating rate	120 cyc/h 40 °C

Complementary

Control circuit voltage limits	Latching: 0.85...1.1 Uc Unlatching: 0.85...1.1 Uc
--------------------------------	--

Environment

Product weight	0.56 kg
----------------	---------

Offer Sustainability

RECh Regulation	REACH Declaration
EU RoHS Directive	Pro-active compliance (Product out of EU RoHS legal scope) EU RoHS Declaration
Mercury free	Yes
RoHS exemption information	Yes
China RoHS Regulation	China RoHS declaration Product out of China RoHS scope. Substance declaration for your information

Contractual warranty

Warranty	18 months
----------	-----------
