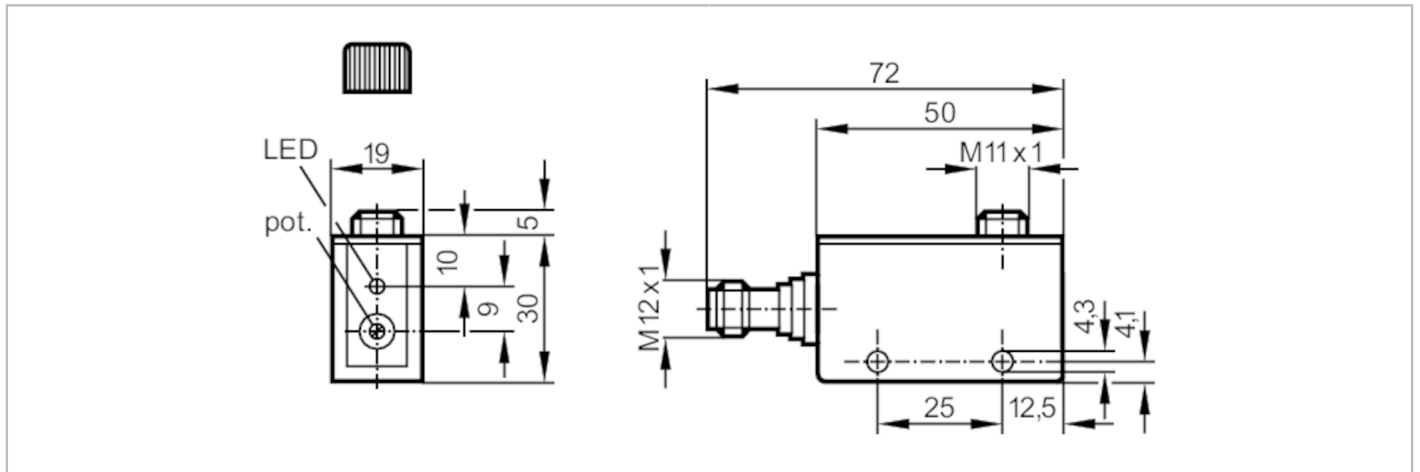


OK5008



Fibre-optic amplifier

OKF-FPKG/US-100-DPF



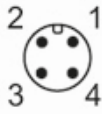
Electrical data		
Operating voltage	[V]	10...36 DC
Current consumption	[mA]	30; ((24 V))
Protection class		III
Reverse polarity protection		yes
Type of light		red light
Wave length	[nm]	660
Outputs		
Electrical design		PNP
Output function		light-on/dark-on mode; (programmable)
Max. voltage drop switching output DC	[V]	2.5
Permanent current rating of switching output DC	[mA]	250
Switching frequency DC	[Hz]	120
Short-circuit protection		yes
Type of short-circuit protection		pulsed
Overload protection		yes
Detection zone		
Range	[m]	0...0.12; (Through-beam sensor)
Range	[mm]	0...40; (Diffuse reflection sensor)
Range adjustable		yes
Operating conditions		
Ambient temperature	[°C]	-25...60
Protection		IP 65
Tests / approvals		
EMC		EN 60947-5-2
		EN 55011
MTTF	[years]	529
		class B

OK5008



Fibre-optic amplifier

OKF-FPKG/US-100-DPF

Mechanical data		
Weight [g]	65.2	
Housing	rectangular	
Dimensions [mm]	50 x 19 x 35	
Materials	PPO modified	
Lens alignment	side lens	
Displays / operating elements		
Display	switching status	1 x LED, yellow
Accessories		
Accessories (supplied)	screwdrivers	
	screws: 2 x M4 x 25	
	washers: 2 x	
	spring washers: 2 x	
	Nuts: 2 x	
Remarks		
Remarks	light-on mode corresponds to the NC output function for through-beam fibre optics	
	corresponds to the NO output function for diffuse-reflection fibre optics	
Pack quantity	dark-on mode corresponds to the NO output function for through-beam fibre optics	
	corresponds to the NC output function for diffuse-reflection fibre optics	
Pack quantity	1 pcs.	
Electrical connection		
Connector: 1 x M12		
		

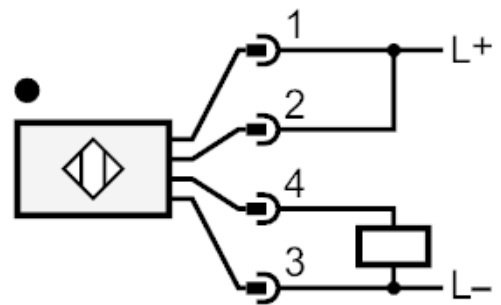
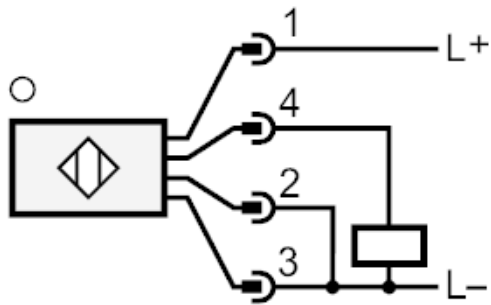
OK5008



Fibre-optic amplifier

OKF-FPKG/US-100-DPF

Connection



Core colours :

BN =	brown
BU =	blue
BK =	black
WH =	white