

RU1046

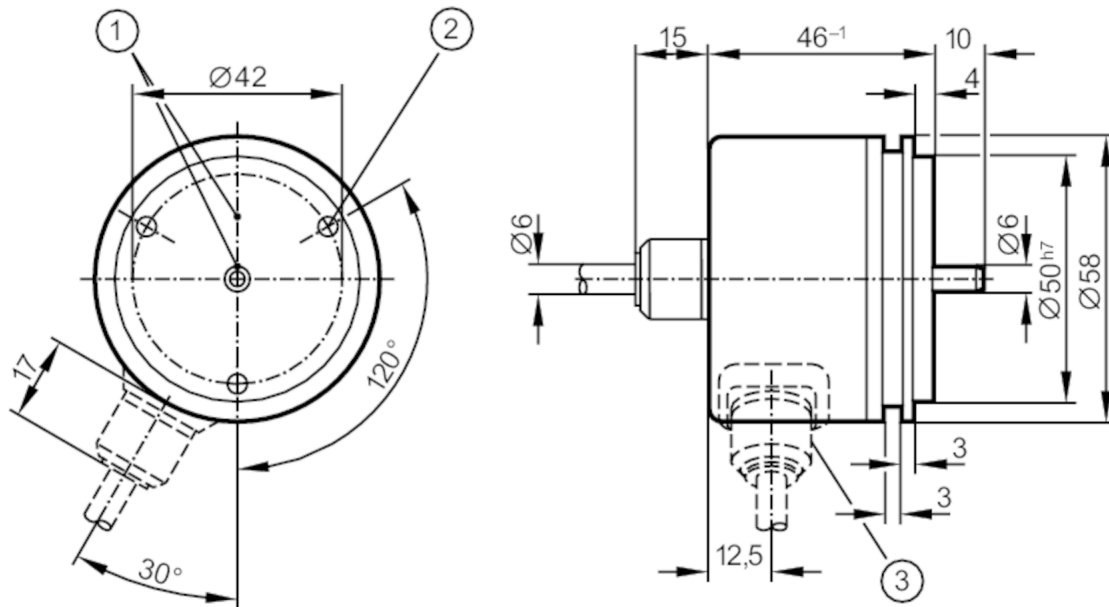
Incremental encoder with solid shaft

RU-6000-I05/L2



Status Archive

/RUP500 + E12402



- 1 reference mark
- 2 M4 Depth 5 mm



Application	
Function principle	incremental
Electrical data	
Operating voltage tolerance [%]	10
Operating voltage [V]	5 DC
Current consumption [mA]	150
Outputs	
Electrical design	TTL
Max. current load per output [mA]	20
Switching frequency [kHz]	300
Phase difference A und B [°]	90
Measuring/setting range	
Resolution	6000 resolution
Operating conditions	
Ambient temperature [°C]	-30...100
Note on ambient temperature	for firmly laid cable: -30 °C
Storage temperature [°C]	-30...100
Max. relative air humidity [%]	98
Protection	IP 64

RU1046



Incremental encoder with solid shaft

RU-6000-I05/L2

Tests / approvals		
Shock resistance		100 g (6 ms)
Vibration resistance		10 g (55...2000 Hz)
MTTF	[years]	190
Mechanical data		
Weight	[g]	486.5
Dimensions	[mm]	Ø 58 / L = 46
Materials		aluminium
Max. revolution, mechanical	[U/min]	12000
Max. starting torque	[Nm]	1
Reference temperature torque	[°C]	20
Shaft design		solid shaft
Shaft diameter	[mm]	6
Shaft material		steel (1.4104)
Max. shaft load axial (at the shaft end)	[N]	10
Max. shaft load radial (at the shaft end)	[N]	20
Fixing flange		synchro-flange
Remarks		
Notes		discontinued article
Electrical connection		
Cable: 2 m, PUR; axial		
brown	A	
green	A inverted	
grey	B	
pink	B inverted	
red	0 index	
black	0 index inverted	
blue	L+ sensor	
white	0V sensor	
brown/green	L+ (Up)	
white/green	0V (Un)	
lilac	failure inverted	
screen	housing	

RU1046

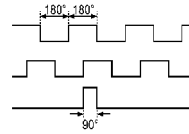


Incremental encoder with solid shaft

RU-6000-I05/L2

Diagrams and graphs

Pulse diagram



Output A

Output B

0 index

Status Archive

/RUP500 + E12402