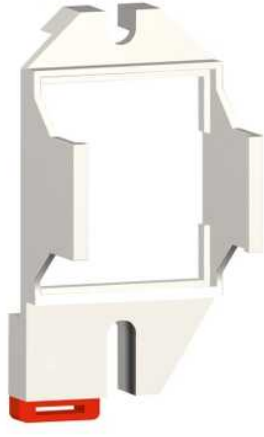


RXZE2DA

mounting adaptor for DIN rail - for relays RXM and RPM



Main

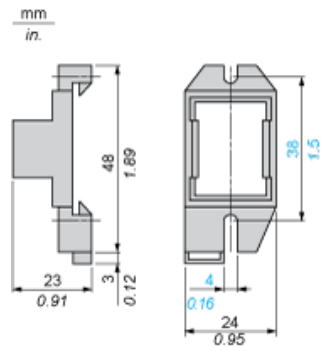
Accessory / separate part category	Mounting accessories
Accessory / separate part designation	Mounting adaptor for DIN rails
Device short name	RXZ
Sale per indivisible quantity	10

Complementary

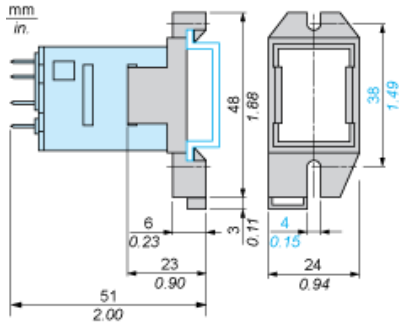
Accessory / separate part destination	Zelio Relay RPM Zelio Relay RXM
Product compatibility	Plug-in relay RPM (2 C/O) Plug-in relay RXM (4 C/O) Plug-in relay RXM (3 C/O) Plug-in relay RXM (2 C/O)
Shape of pin	Flat
Product weight	0.004 kg

The information provided in this documentation contains general descriptions and/or technical characteristics of the performance of the products contained herein. This documentation is not intended as a substitute for and is not to be used for determining suitability or reliability of these products for specific user applications. It is the duty of any such user or integrator to perform the appropriate and complete risk analysis, evaluation and testing of the products with respect to the relevant specific application or use thereof. Neither Schneider Electric Industries SAS nor any of its affiliates or subsidiaries shall be responsible or liable for misuse of the information contained herein.

Dimensions



Mounting Adapter for Rails



With this mounting type, test button becomes inaccessible.