



Photoelectric sensors
Photoelectric retro-reflective sensor, Product
group W140-2

WL140-2N430

Model Name > [WL140-2N430](#)
Part No. > [6024795](#)



- Polarisation filter for detection of objects with shiny surfaces
- Also suitable for "Diamond Grade" reflective tape
- Red light as alignment aid
- LED indicator: operating reserve



Product features

Sensing range min ... max:	0.01 m ... 5 m, 0.01 m ... 6.5 m
Light source:	LED
Type of light:	Red light
Light spot diameter:	Approx. 250 mm at 2.5 m distance
Laser:	Red light
Sensing range max.:	0.01 m ... 5 m, 0.01 m ... 6.5 m
Relating to:	Reflector PL80A
Sensitivity adjustment:	Potentiometer
Wave length:	680 nm

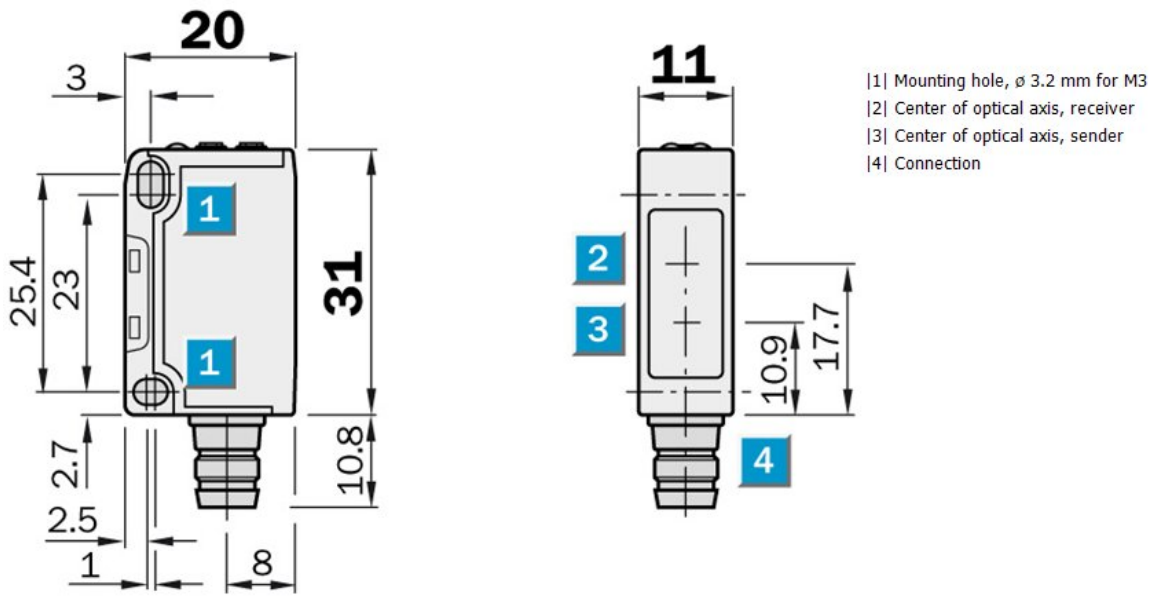
Technical data

Design:	Rectangular
Dimensions (W x H x D):	11 mm x 31 mm x 20 mm
Supply voltage min ... max:	DC 10 ... 30 V ¹⁾
Ripple:	± 10 %
Power consumption:	≤ 30 mA
Switching output:	NPN: open collector: Q
Switching mode:	Light/dark switching via rotary switch
Signal voltage NPN HIGH/LOW:	Approx. $V_S / < 1.8 V$
Output current max.:	100 mA
Response time:	≤ 0.5 ms
Switching frequency:	1,000 Hz
Connection type:	Connector, M8, 4-pin
Circuit protection:	V_S connections reverse-polarity protected/In-/outputs short-circuit protected/Interference suppression/Outputs overcurrent and short-circuit protected
Enclosure rating:	IP 67
Ambient operation temperature, min ... max:	-25 °C ... +55 °C
Ambient storage temperature, min ... max:	-40 °C ... +70 °C
Weight:	Ca. 9 g
Housing material:	PBT

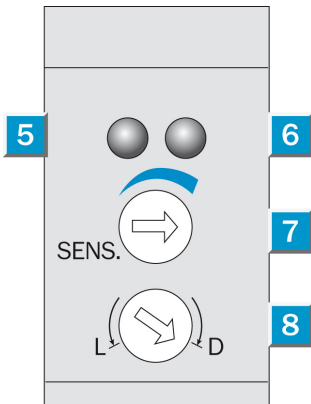
Angle of dispersion: Ca. 5.8 °
 Series: W140-2
 Optics material: PMMA

1) Limit values, reverse-polarity protected operation in short-circuit protected network max. 8 A

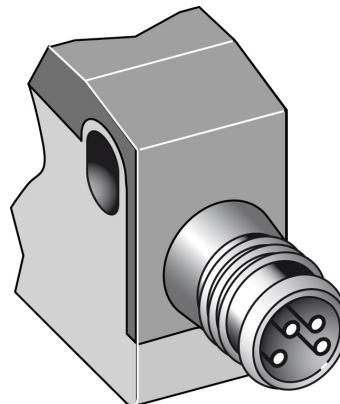
Dimensional drawing



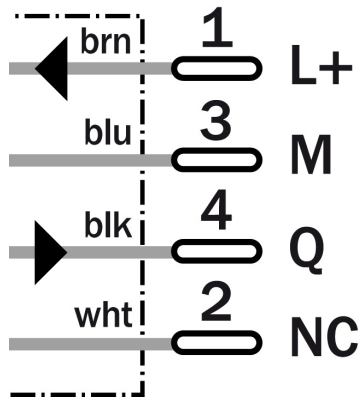
Adjustment possible



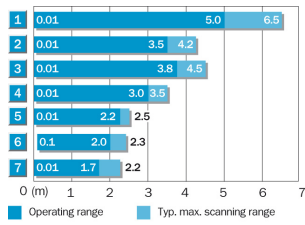
Connection type



Connection diagram

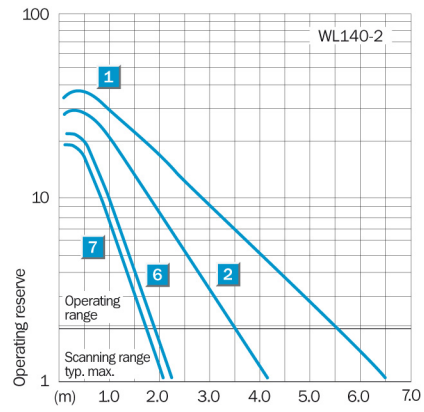


Sensing range diagram



Reflector type	Operating range
1 PL 80 A	0.01 ... 5.0 m
2 P 250	0.01 ... 3.5 m
3 PL 50 A/PL 40 A	0.01 ... 3.8 m
4 PL 30 A/PL 31 A	0.01 ... 3.0 m
5 PL 20 A	0.01 ... 2.2 m
6 Reflective tape Diamond Grade (100 x 100 mm ²)	0.1 ... 2.0 m
7 P 45	0.01 ... 1.7 m

Scanning distance displacement



Australia

Phone +61 3 9457 0600
1800 33 48 02 – tollfree
E-Mail sales@sick.com.au

Belgium/Luxembourg

Phone +32 (0)2 466 55 66
E-Mail info@sick.be

Brasil

Phone +55 11 3215-4900
E-Mail marketing@sick.com.br

Canada

Phone +1 905 771 14 44
E-Mail information@sick.com

Česká republika

Phone +420 2 57 91 18 50
E-Mail sick@sick.cz

China

Phone +86 4000 121 000
E-Mail info.china@sick.net.cn
Phone +852-2153 6300
E-Mail ghk@sick.com.hk

Danmark

Phone +45 45 82 64 00
E-Mail sick@sick.dk

Deutschland

Phone +49 211 5301-301
E-Mail info@sick.de

España

Phone +34 93 480 31 00
E-Mail info@sick.es

France

Phone +33 1 64 62 35 00
E-Mail info@sick.fr

Great Britain

Phone +44 (0)1727 831121
E-Mail info@sick.co.uk

India

Phone +91-22-4033 8333
E-Mail info@sick-india.com

Israel

Phone +972-4-6881000
E-Mail info@sick-sensors.com

Italia

Phone +39 02 27 43 41
E-Mail info@sick.it

Japan

Phone +81 (0)3 5309 2112
E-Mail support@sick.jp

Magyarország

Phone +36 1 371 2680
E-Mail office@sick.hu

Nederland

Phone +31 (0)30 229 25 44
E-Mail info@sick.nl

Norge

Phone +47 67 81 50 00
E-Mail sick@sick.no

Österreich

Phone +43 (0)22 36 62 28 8-0
E-Mail office@sick.at

Polska

Phone +48 22 837 40 50
E-Mail info@sick.pl

România

Phone +40 356 171 120
E-Mail office@sick.ro

Russia

Phone +7-495-775-05-30
E-Mail info@sick.ru

Schweiz

Phone +41 41 619 29 39
E-Mail contact@sick.ch

Singapore

Phone +65 6744 3732
E-Mail sales.gsg@sick.com

Slovenija

Phone +386 (0)1-47 69 990
E-Mail office@sick.si

South Africa

Phone +27 11 472 3733
E-Mail info@sickautomation.co.za

South Korea

Phone +82 2 786 6321/4
E-Mail info@sickkorea.net

Suomi

Phone +358-9-25 15 800
E-Mail sick@sick.fi

Sverige

Phone +46 10 110 10 00
E-Mail info@sick.se

Taiwan

Phone +886 2 2375-6288
E-Mail sales@sick.com.tw

Türkiye

Phone +90 (216) 528 50 00
E-Mail info@sick.com.tr

United Arab Emirates

Phone +971 (0) 4 88 65 878
E-Mail info@sick.ae

USA/México

Phone +1(952) 941-6780
1 (800) 325-7425 – tollfree
E-Mail info@sickusa.com

More representatives and agencies
at www.sick.com