



Photoelectric sensors
V18, Through-beam photoelectric sensor

VS/VE18-4P3140



Model Name > VS/VE18-4P3140
Part No. > 6013677



Illustration may differ

At a glance

- Cylindrical M18 housing
- Sensing distance up to 20 m
- 3- or 4-wire
- Straight or right-angle housing
- Metal or plastic housing

Your benefits

- Simple, standardized design ensures easy mounting, alignment and replacement
- Compact, space-saving design easily fits in tight application spaces



Features

Sensor/detection principle:	Through-beam photoelectric sensor
Housing design (light emission):	Cylindrical, straight, straight
Housing length:	78 mm
Thread diameter (housing):	M18 x 1
Optical axis:	Axial
Sensing range max.:	0 m ... 20 m
Sensing range:	0 m ... 14 m
Type of light:	Infrared light
Light source:	LED ¹⁾
Light spot diameter (distance):	700 mm (14 m)
Angle of dispersion:	2.8 °

¹⁾ Average service life of 100,000 h at T_A = +25 °C

Mechanics/electronics

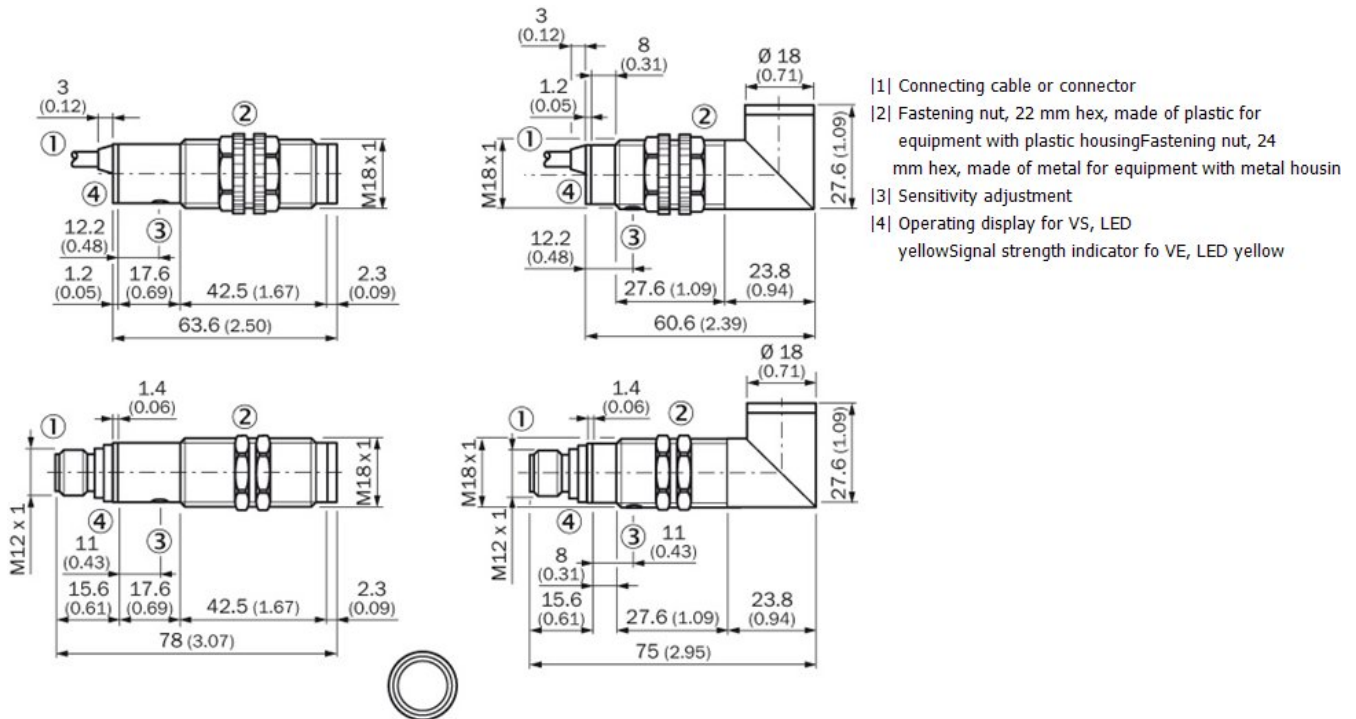
Supply voltage:	10 V DC ... 30 V DC ¹⁾
Ripple:	≤ 10 % ²⁾
Power consumption:	≤ 30 mA ³⁾
Output type:	NPN, Light/dark-switching, Selectable via L/D control wire, open collector
Switching mode selector:	Selectable via L/D control wire
Output current I _{max.} :	100 mA
Response time:	≤ 2 ms ⁵⁾
Switching frequency:	250 Hz ⁶⁾
Connection type:	Connector M12, 4-pin

Circuit protection:::	A, B, C, D ^{7) 8) 9) 10)}
Protection class:	III
Weight:	240 g
Housing material:	Nickel-plated brass
Enclosure rating:	IP 67
Test input sender off:	TE to 0 V
Ambient operating temperature:	-25 °C ... 70 °C
UL File-No.:	UL No. NMFT2.E175606
Switching mode characteristic:	Open collector
SCHALTARTFUSSNOTE:	Control wire open: dark-switching D.ON

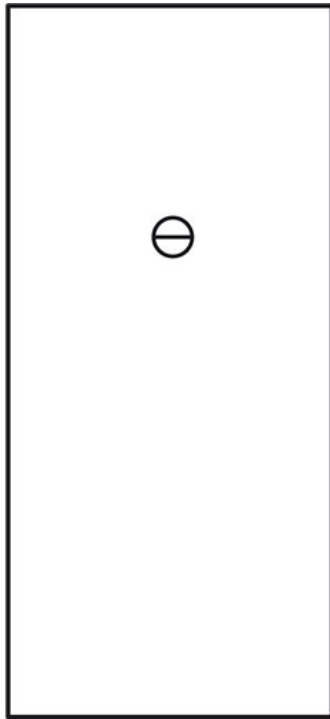
Control wire open: dark-switching D.ON;

1) Limit values 2) May not exceed or fall short of V_S tolerances 3) Without load 4) Control wire open: dark-switching D.ON 5) Signal transit time with resistive load 6)
 With light/dark ratio 1:1 ⁷⁾ A = V_S connections reverse-polarity protected ⁸⁾ B = inputs and output reverse-polarity protected ⁹⁾ C = interference suppression ¹⁰⁾ D =
 outputs overcurrent and short-circuit protected

Dimensional drawing

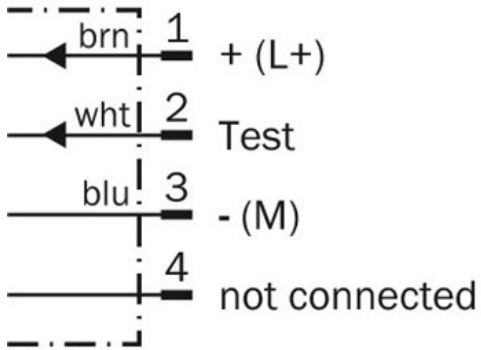


Adjustments possible

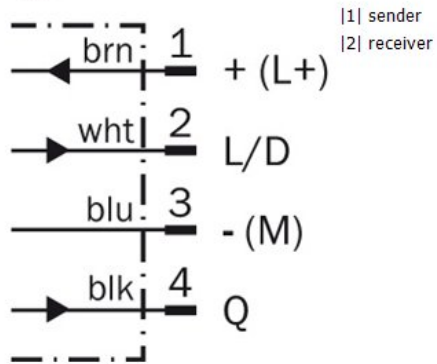


Connection diagram

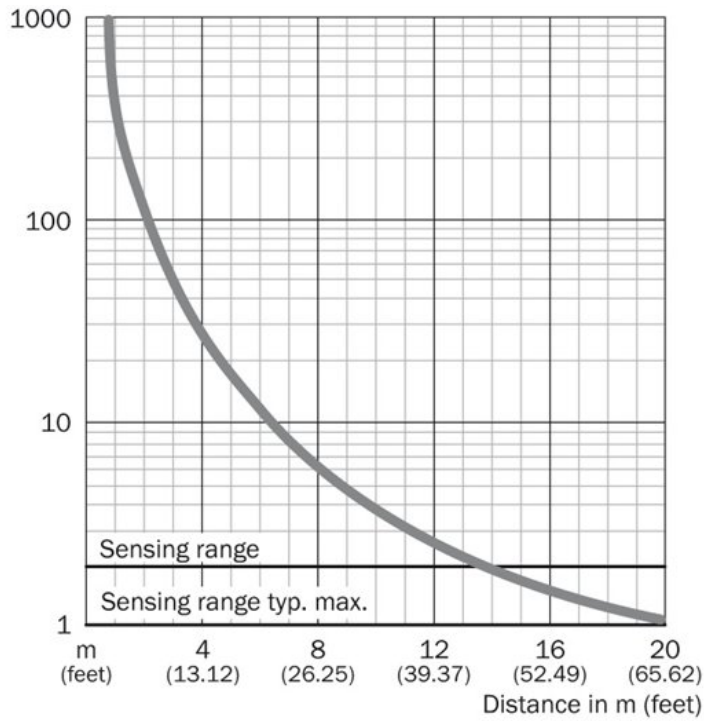
①



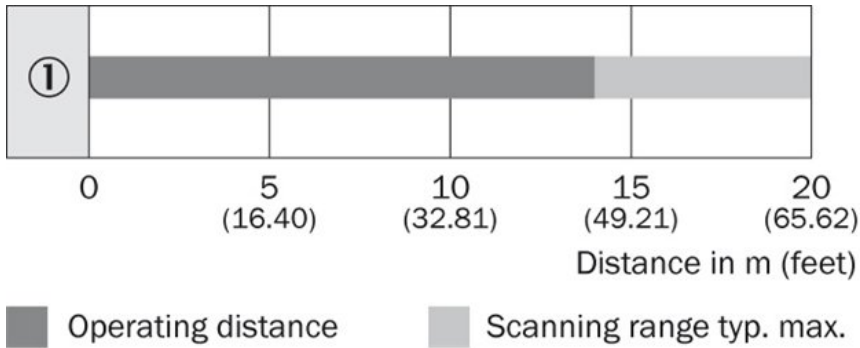
②



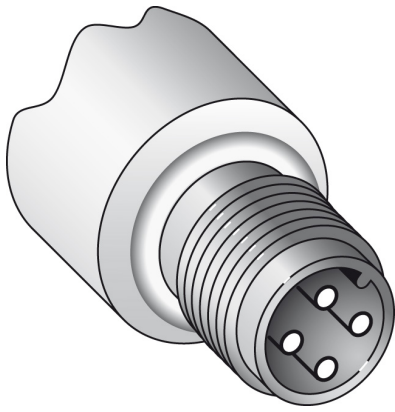
Characteristic curve



Sensing range diagram



Connection type



Australia

Phone +61 3 9457 0600
1800 334 802 – tollfree
E-Mail sales@sick.com.au

Belgium/Luxembourg

Phone +32 (0)2 466 55 66
E-Mail info@sick.be

Brasil

Phone +55 11 3215-4900
E-Mail sac@sick.com.br

Canada

Phone +1 905 771 14 44
E-Mail information@sick.com

Ceská Republika

Phone +420 2 57 91 18 50
E-Mail sick@sick.cz

China

Phone +86 4000 121 000
E-Mail info.china@sick.net.cn
Phone +852-2153 6300
E-Mail ghk@sick.com.hk

Danmark

Phone +45 45 82 64 00
E-Mail sick@sick.dk

Deutschland

Phone +49 211 5301-301
E-Mail kundenservice@sick.de

España

Phone +34 93 480 31 00
E-Mail info@sick.es

France

Phone +33 1 64 62 35 00
E-Mail info@sick.fr

Great Britain

Phone +44 (0)1727 831121
E-Mail info@sick.co.uk

India

Phone +91-22-4033 8333
E-Mail info@sick-india.com

Israel

Phone +972-4-6801000
E-Mail info@sick-sensors.com

Italia

Phone +39 02 27 43 41
E-Mail info@sick.it

Japan

Phone +81 (0)3 3358 1341
E-Mail support@sick.jp

Magyarország

Phone +36 1 371 2680
E-Mail office@sick.hu

Nederlands

Phone +31 (0)30 229 25 44
E-Mail info@sick.nl

Norge

Phone +47 67 81 50 00
E-Mail austefjord@sick.no

Österreich

Phone +43 (0)22 36 62 28 8-0
E-Mail office@sick.at

Polska

Phone +48 22 837 40 50
E-Mail info@sick.pl

România

Phone +40 356 171 120
E-Mail office@sick.ro

Russia

Phone +7-495-775-05-30
E-Mail info@sick.ru

Schweiz

Phone +41 41 619 29 39
E-Mail contact@sick.ch

Singapore

Phone +65 6744 3732
E-Mail admin@sicksgp.com.sg

Slovenija

Phone +386 (0)1-47 69 990
E-Mail office@sick.si

South Africa

Phone +27 11 472 3733
E-Mail info@sickautomation.co.za

South Korea

Phone +82 2 786 6321/4
E-Mail info@sickkorea.net

Suomi

Phone +358-9-25 15 800
E-Mail sick@sick.fi

Sverige

Phone +46 10 110 10 00
E-Mail info@sick.se

Taiwan

Phone +886-2-2375-6288
E-Mail sales@sick.com.tw

Türkiye

Phone +90 (216) 528 50 00
E-Mail info@sick.com.tr

United Arab Emirates

Phone +971 (0) 4 8865 878
E-Mail info@sick.ae

USA/México

Phone +1(952) 941-6780
1 800-325-7425 – tollfree
E-Mail info@sickusa.com

More representatives and agencies
at www.sick.com