



Photoelectric sensors
V180-2, Photoelectric proximity sensor,
Background blanking

VTE180-2N41149



Model Name > [VTE180-2N41149](#)
Part No. > [6043816](#)



Illustration may differ

At a glance

- Lowest-cost M18 housing sensor on the market
- Long sensing distances: 100 mm, 400 mm, 800 mm (max. 1,100 mm)
- Bright power and signal LEDs with 360° visibility
- Wide product portfolio solves a broad range of applications
- High switching frequencies up to 1000 Hz
- Available in a metal housing for applications in harsh environments
- Optical axis selectively axial or radial (90°)

Your benefits

- Lowest-cost M18 cylindrical sensor on the market reduces installation costs
- Bright red sender LED simplifies alignment and saves installation time
- Bright power and signal LEDs with 360° visibility offer quick and simple troubleshooting, reducing installation and maintenance costs
- The flat and smooth lens reduces the collection of dust and dirt, ensuring safe operation with less maintenance and fewer costs



Features

Sensor/detection principle:	Photoelectric proximity sensor, Background blanking
Housing design (light emission):	Cylindrical, angled
Housing length:	76.5 mm
Optical axis:	Radial
Sensing range max.:	1 mm ... 450 mm ¹⁾
Sensing range:	1 mm ... 350 mm ²⁾
Type of light:	Visible red light
Light source:	LED ³⁾
Wave length:	645 nm
Angle of dispersion:	Ca. 1.5 °
Adjustment:	Potentiometer, 270°
Light spot size (distance):	Ø 20 mm (400 mm)

^{1) 2)} Object with 90 % reflectance (referred to standard white DIN 5033) ³⁾ Average service life of 100,000 h at T_A = +25 °C

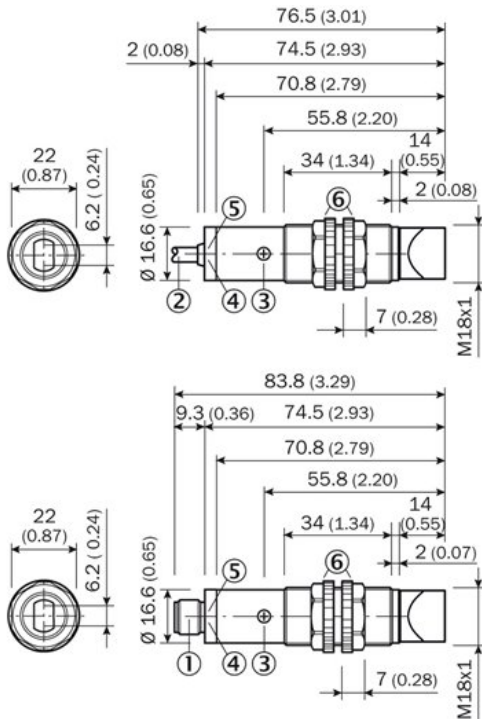
Mechanics/electronics

Supply voltage:	10 V DC ... 30 V DC ¹⁾
Ripple:	± 10 %
Power consumption:	≤ 30 mA ²⁾

Output type:	NPN ³⁾
Switching mode:	Light/dark-switching ⁴⁾
Signal voltage NPN HIGH/LOW:	Approx. $V_S / < 1.8 V$
Output current I _{max} :	≤ 100 mA
Response time:	≤ 0.5 ms ⁵⁾
Switching frequency:	1,000 Hz ⁶⁾
Connection type:	Cable, 4-wire, 2 m ⁷⁾
Cable material:	PVC
Conductor cross-section:	0.18 mm ²
Cable diameter:	Ø 3.8 mm
Circuit protection:::	A, B, D ⁸⁾ ⁹⁾ ¹⁰⁾
Protection class:	III
Weight:	62 g
Housing material:	Plastic, PBT/PC
Optics material:	PMMA
Enclosure rating:	IP 67
Ambient operating temperature:	-25 °C ... 55 °C
Ambient storage temperature:	-40 °C ... 70 °C

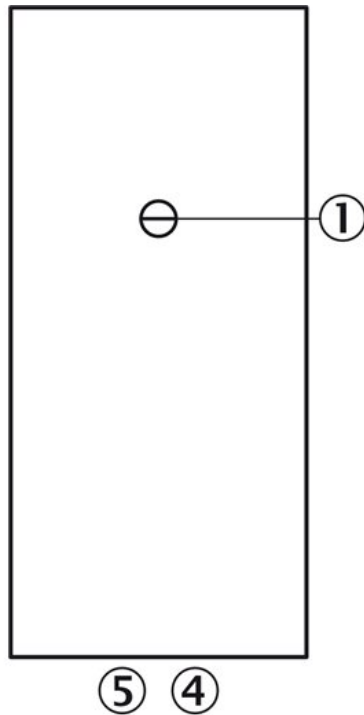
1) Limit values, operation in short-circuit protected network max. 8 A 2) Without load 3) 4) Control wire open: light-switching L.ON 5) Signal transit time with resistive load 6) With light/dark ratio 1:1 7) Do not bend below 0 °C 8) A = V_S connections reverse-polarity protected 9) B = inputs and output reverse-polarity protected 10) D = outputs overcurrent and short-circuit protected

Dimensional drawing



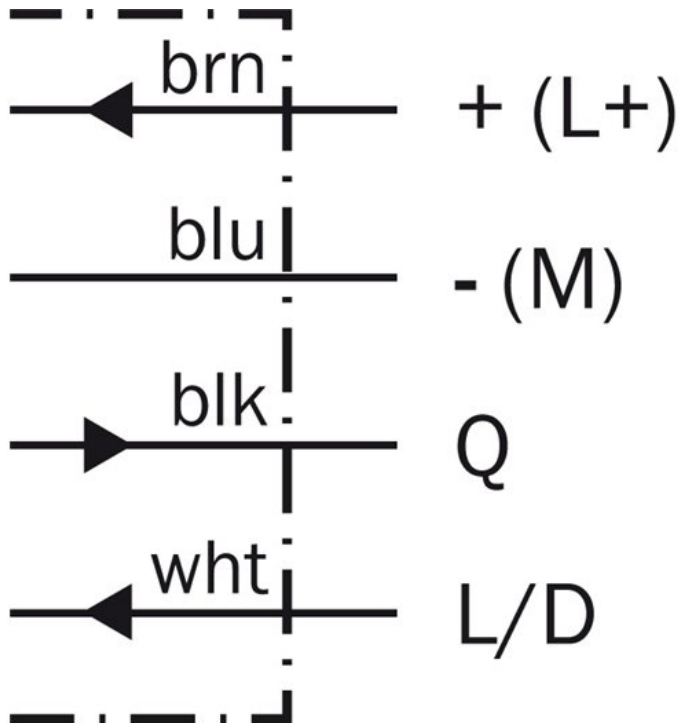
- [1] Connector M12
- [2] Connection cable 2 m
- [3] Sensitivity control; Potentiometer 270°
- [4] LED indicator orange: switching output active
- [5] LED indicator green, stability indicator:
LED lights continuously = light reception < 0.9 / > 1.1; LED off = light reception > 0.9 / < 1.1
- [6] fastening nuts (2 x); width across 22, PC

Adjustments possible

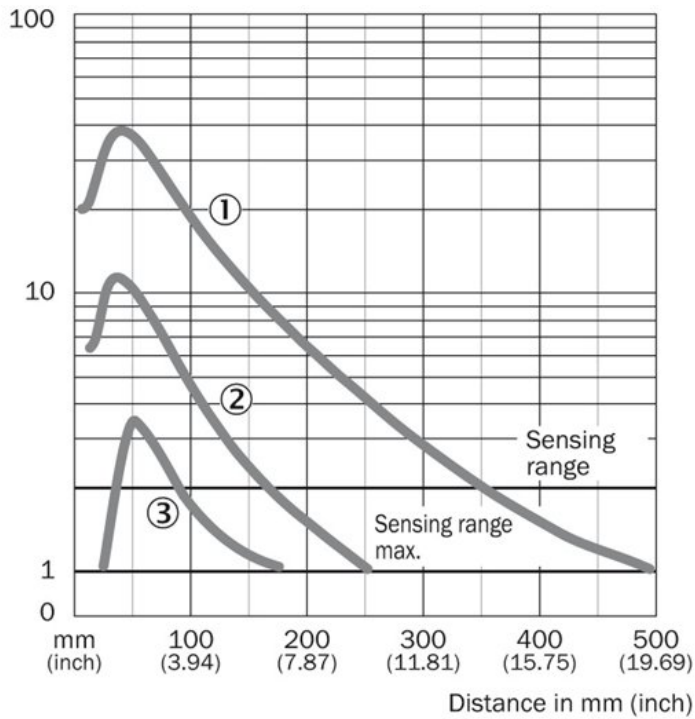


- |3| Sensitivity adjustment 270°
- |4| LED indicator orange: switching output active
- |5| LED indicator green

Connection diagram

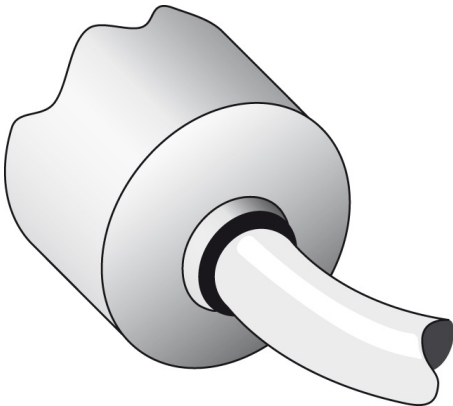


Characteristic curve

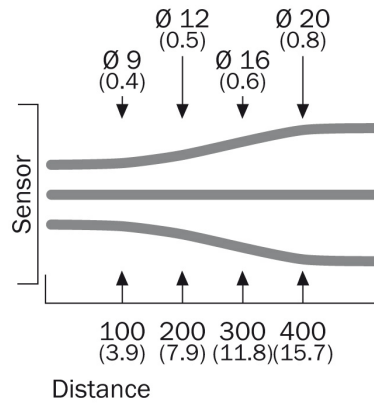


- [1] Sensing range on white, 90 % reversion
- [2] Sensing range on grey, 18 % reversion
- [3] Sensing range on black, 6 % reversion

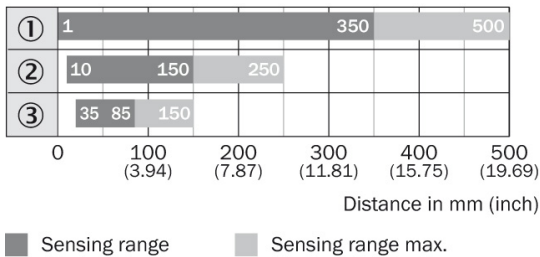
Connection type



Light spot size



Sensing range diagram



Australia

Phone +61 3 9457 0600
1800 334 802 – tollfree
E-Mail sales@sick.com.au

Belgium/Luxembourg

Phone +32 (0)2 466 55 66
E-Mail info@sick.be

Brasil

Phone +55 11 3215-4900
E-Mail sac@sick.com.br

Canada

Phone +1 905 771 14 44
E-Mail information@sick.com

Ceská Republika

Phone +420 2 57 91 18 50
E-Mail sick@sick.cz

China

Phone +86 4000 121 000
E-Mail info.china@sick.net.cn
Phone +852-2153 6300
E-Mail ghk@sick.com.hk

Danmark

Phone +45 45 82 64 00
E-Mail sick@sick.dk

Deutschland

Phone +49 211 5301-301
E-Mail kundenservice@sick.de

España

Phone +34 93 480 31 00
E-Mail info@sick.es

France

Phone +33 1 64 62 35 00
E-Mail info@sick.fr

Great Britain

Phone +44 (0)1727 831121
E-Mail info@sick.co.uk

India

Phone +91-22-4033 8333
E-Mail info@sick-india.com

Israel

Phone +972-4-6801000
E-Mail info@sick-sensors.com

Italia

Phone +39 02 27 43 41
E-Mail info@sick.it

Japan

Phone +81 (0)3 3358 1341
E-Mail support@sick.jp

Magyarország

Phone +36 1 371 2680
E-Mail office@sick.hu

Nederlands

Phone +31 (0)30 229 25 44
E-Mail info@sick.nl

Norge

Phone +47 67 81 50 00
E-Mail austefjord@sick.no

Österreich

Phone +43 (0)22 36 62 28 8-0
E-Mail office@sick.at

Polska

Phone +48 22 837 40 50
E-Mail info@sick.pl

România

Phone +40 356 171 120
E-Mail office@sick.ro

Russia

Phone +7-495-775-05-30
E-Mail info@sick.ru

Schweiz

Phone +41 41 619 29 39
E-Mail contact@sick.ch

Singapore

Phone +65 6744 3732
E-Mail admin@sicksgp.com.sg

Slovenija

Phone +386 (0)1-47 69 990
E-Mail office@sick.si

South Africa

Phone +27 11 472 3733
E-Mail info@sickautomation.co.za

South Korea

Phone +82 2 786 6321/4
E-Mail info@sickkorea.net

Suomi

Phone +358-9-25 15 800
E-Mail sick@sick.fi

Sverige

Phone +46 10 110 10 00
E-Mail info@sick.se

Taiwan

Phone +886-2-2375-6288
E-Mail sales@sick.com.tw

Türkiye

Phone +90 (216) 528 50 00
E-Mail info@sick.com.tr

United Arab Emirates

Phone +971 (0) 4 8865 878
E-Mail info@sick.ae

USA/México

Phone +1(952) 941-6780
1 800-325-7425 – tollfree
E-Mail info@sickusa.com

More representatives and agencies
at www.sick.com