



Photoelectric sensors
W4-3 PTFE, Through-beam photoelectric sensor

WSE4T-3P1430



Model Name > [WSE4T-3P1430](#)
Part No. > [1029646](#)



Illustration may differ

At a glance

- Sensor and cable enclosed in a protective Teflon-coated housing
- Suitable for use in the food and beverage industry
- Through-beam photoelectric sensor with a sensing range of 0 - 3 m
- Highly visible PinPoint LED light spot

Your benefits

- High cost savings since neither the sensor nor the cable requires a protective barrier
- Quick and easy alignment due to highly visible PinPoint LED light spot
- Less machine downtime due to a long sensor life that withstands all aggressive cleaning and process agents



Features

| | |
|----------------------------------|-----------------------------------|
| Sensor/detection principle: | Through-beam photoelectric sensor |
| Dimensions (W x H x D): | 22 mm x 42 mm x 21.8 mm |
| Housing design (light emission): | Rectangular |
| Sensing range max.: | 0 m ... 3 m |
| Sensing range: | 0 m ... 2.5 m |
| Type of light: | Visible red light |
| Light source: | PinPoint LED ¹⁾ |
| Wave length: | 650 nm |
| Light spot size (distance): | Ø 210 mm (2 m) |

¹⁾ Average service life of 100,000 h at T_A = +25 °C

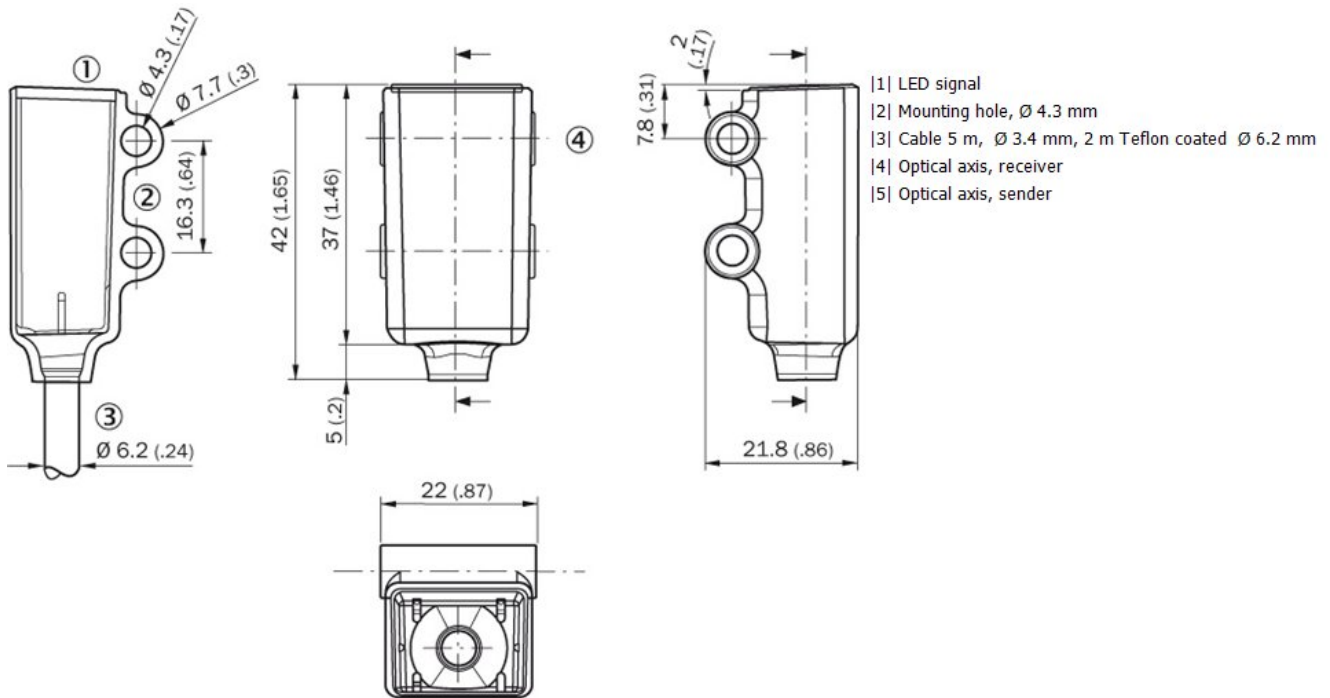
Mechanics/electronics

| | |
|------------------------------------|-----------------------------------|
| Supply voltage: | 10 V DC ... 30 V DC ¹⁾ |
| Ripple: | < 5 Vpp ²⁾ |
| Power consumption:: | ≤ 20 mA ^{3) 4)} |
| Output type: | PNP |
| Switching mode: | Light switching |
| Output current I _{max} :: | ≤ 100 mA ⁵⁾ |
| Response time: | < 0.5 ms ⁵⁾ |
| Switching frequency: | 1,000 Hz ⁶⁾ |
| Connection type: | Cable, 3-wire, 5 m ⁷⁾ |
| Cable material: | PVC/PTFE coating |

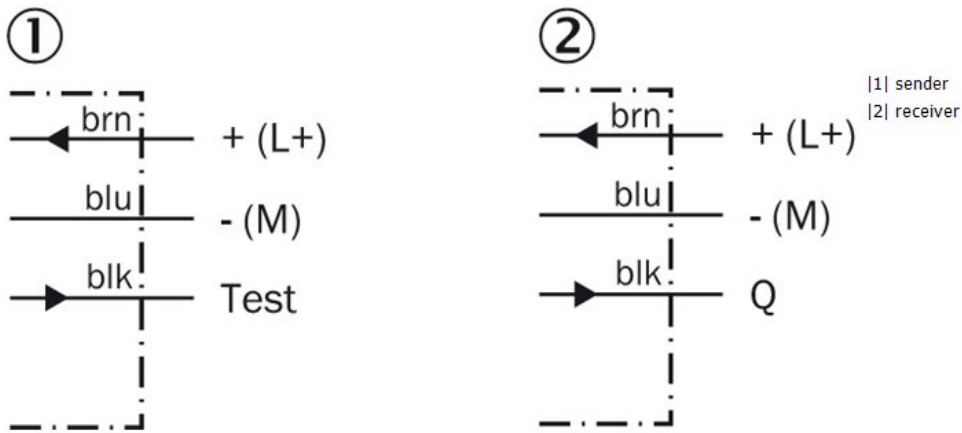
| | |
|--------------------------------|------------------------------|
| Conductor cross-section: | 0.14 mm ² |
| Cable diameter: | 3.4 mm |
| Circuit protection::: | A, C, D ^{8) 9) 10)} |
| Protection class: | III |
| Weight: | 30 g |
| Housing material: | PTFE |
| Optics material: | PMMA |
| Enclosure rating: | IP 68 IP 69K |
| Test input sender off: | TE to 0 V |
| Ambient operating temperature: | -40 °C ... 60 °C |
| Ambient storage temperature: | -40 °C ... 75 °C |
| UL File No.: | NRKH.E181493 & NRKH7.E181493 |

1) Limit values 2) May not exceed or fall short of V_S tolerances 3) Sender 4) Receiver 5) Signal transit time with resistive load 6) With light/dark ratio 1:1 7) Do not bend below 0 °C 8) A = V_S connections reverse-polarity protected 9) C = interference suppression 10) D = outputs overcurrent and short-circuit protected

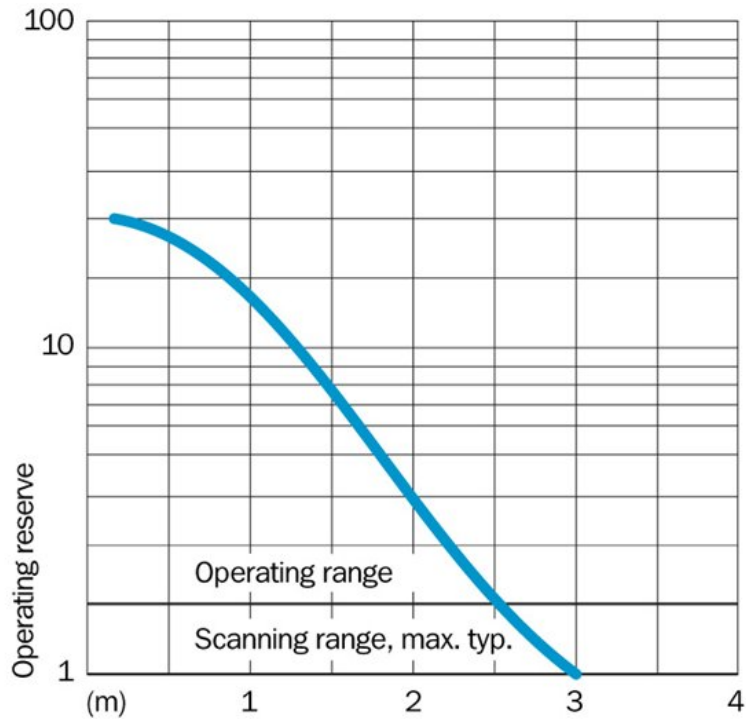
Dimensional drawing



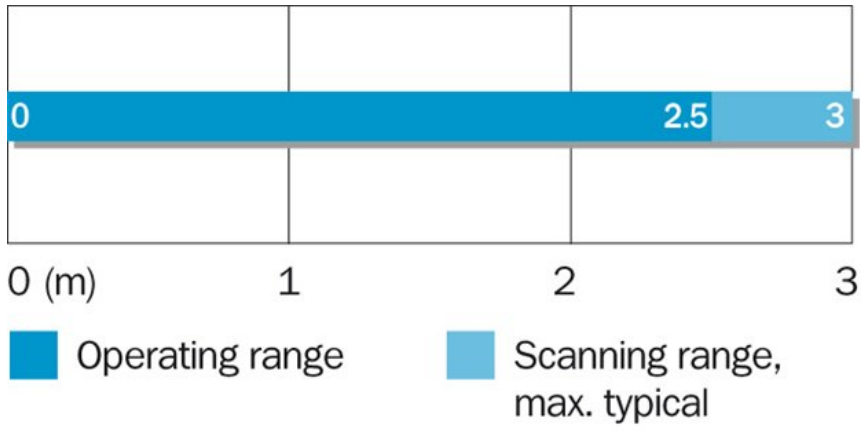
Connection diagram



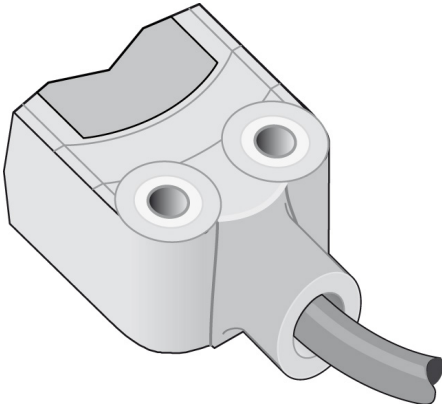
Characteristic curve



Sensing range diagram



Connection type



Australia

Phone +61 3 9457 0600
1800 334 802 – tollfree
E-Mail sales@sick.com.au

Belgium/Luxembourg

Phone +32 (0)2 466 55 66
E-Mail info@sick.be

Brasil

Phone +55 11 3215-4900
E-Mail sac@sick.com.br

Canada

Phone +1 905 771 14 44
E-Mail information@sick.com

Ceská Republika

Phone +420 2 57 91 18 50
E-Mail sick@sick.cz

China

Phone +86 4000 121 000
E-Mail info.china@sick.net.cn
Phone +852-2153 6300
E-Mail ghk@sick.com.hk

Danmark

Phone +45 45 82 64 00
E-Mail sick@sick.dk

Deutschland

Phone +49 211 5301-301
E-Mail kundenservice@sick.de

España

Phone +34 93 480 31 00
E-Mail info@sick.es

France

Phone +33 1 64 62 35 00
E-Mail info@sick.fr

Great Britain

Phone +44 (0)1727 831121
E-Mail info@sick.co.uk

India

Phone +91-22-4033 8333
E-Mail info@sick-india.com

Israel

Phone +972-4-6801000
E-Mail info@sick-sensors.com

Italia

Phone +39 02 27 43 41
E-Mail info@sick.it

Japan

Phone +81 (0)3 3358 1341
E-Mail support@sick.jp

Magyarország

Phone +36 1 371 2680
E-Mail office@sick.hu

Nederlands

Phone +31 (0)30 229 25 44
E-Mail info@sick.nl

Norge

Phone +47 67 81 50 00
E-Mail austefjord@sick.no

Österreich

Phone +43 (0)22 36 62 28 8-0
E-Mail office@sick.at

Polska

Phone +48 22 837 40 50
E-Mail info@sick.pl

România

Phone +40 356 171 120
E-Mail office@sick.ro

Russia

Phone +7-495-775-05-30
E-Mail info@sick.ru

Schweiz

Phone +41 41 619 29 39
E-Mail contact@sick.ch

Singapore

Phone +65 6744 3732
E-Mail admin@sicksgp.com.sg

Slovenija

Phone +386 (0)1-47 69 990
E-Mail office@sick.si

South Africa

Phone +27 11 472 3733
E-Mail info@sickautomation.co.za

South Korea

Phone +82 2 786 6321/4
E-Mail info@sickkorea.net

Suomi

Phone +358-9-25 15 800
E-Mail sick@sick.fi

Sverige

Phone +46 10 110 10 00
E-Mail info@sick.se

Taiwan

Phone +886-2-2375-6288
E-Mail sales@sick.com.tw

Türkiye

Phone +90 (216) 528 50 00
E-Mail info@sick.com.tr

United Arab Emirates

Phone +971 (0) 4 8865 878
E-Mail info@sick.ae

USA/México

Phone +1(952) 941-6780
1 800-325-7425 – tollfree
E-Mail info@sickusa.com

More representatives and agencies
at www.sick.com