



Photoelectric sensors
W4S-3, Photoelectric proximity sensor,
Background suppression

WTB4S-3P2131



Model Name > [WTB4S-3P2131](#)
Part No. > [1042056](#)



Illustration may differ

At a glance

- Best background suppression in its class
- Setting either via teach-in pushbutton, 5-turn potentiometer cable or by IO-Link
- All models with PinPoint LED technology
- Versions with laser-like LED light spots
- High immunity to ambient light

Your benefits

- Less downtime due to reliable detection of all types of objects
- Laser-like light spot provides quick and easy alignment
- Smart machine design makes it possible to mount the sensor in the tightest spaces
- Reliable object detection due to best-in-class background suppression and high immunity to ambient light



Features

Sensor/detection principle:	Photoelectric proximity sensor, Background suppression
Dimensions (W x H x D):	12.2 mm x 41.8 mm x 17.3 mm
Housing design (light emission):	Rectangular
Sensing range max.:	4 mm ... 120 mm ¹⁾
Sensing range:	10 mm ... 120 mm ²⁾
Type of light:	Visible red light
Light source:	PinPoint LED ³⁾
Wave length:	650 nm
Adjustment:	Potentiometer, 5-turn
Light spot size (distance):	Ø 2.5 mm (50 mm)

^{1) 2)} Object with 90 % reflectance (referred to standard white DIN 5033) ³⁾ Average service life of 100,000 h at T_A = +25 °C

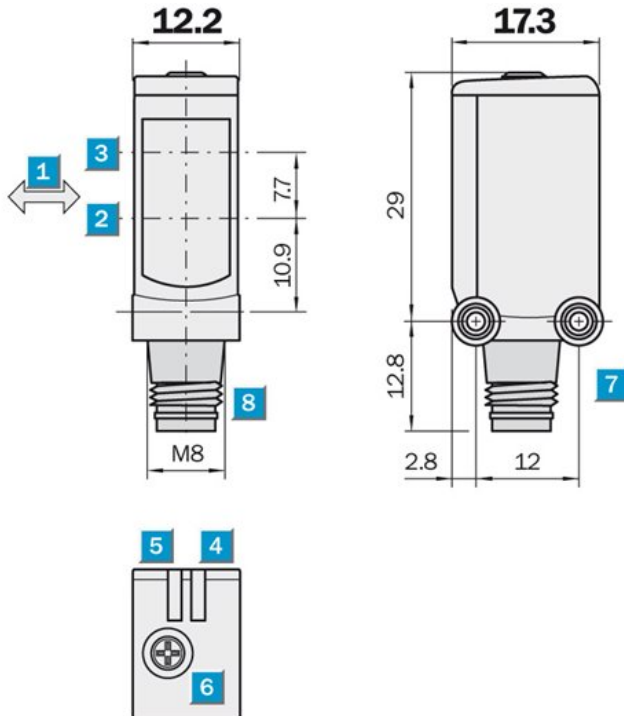
Mechanics/electronics

Supply voltage:	10 V DC ... 30 V DC ¹⁾
Ripple:	< 5 Vpp ²⁾
Power consumption:	≤ 20 mA ³⁾
Output type:	PNP
Switching mode:	Light switching
Output current I _{max.} :	≤ 100 mA
Response time:	< 0.5 ms ⁴⁾

Switching frequency: 1,000 Hz ⁵⁾
 Connection type: Connector M8, 3-pin
 Circuit protection::: A, C, D ^{6) 7) 8)}
 Protection class: III
 Weight: 30 g
 Housing material: ABS, Plastic
 Optics material: PMMA
 Enclosure rating: IP 67
 IP 66
 Ambient operating temperature: -40 °C ... 60 °C
 Ambient storage temperature: -40 °C ... 75 °C
 UL File No.: NRKH.E181493 & NRKH7.E181493

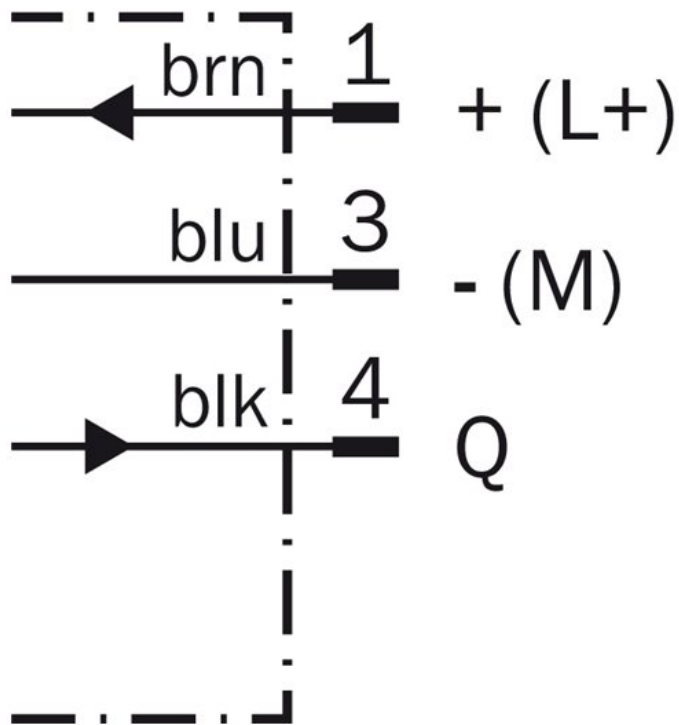
1) Limit values 2) May not exceed or fall short of V_S tolerances 3) Without load 4) Signal transit time with resistive load 5) With light/dark ratio 1:1 6) $A = V_S$
 connections reverse-polarity protected 7) C = interference suppression 8) D = outputs overcurrent and short-circuit protected

Dimensional drawing

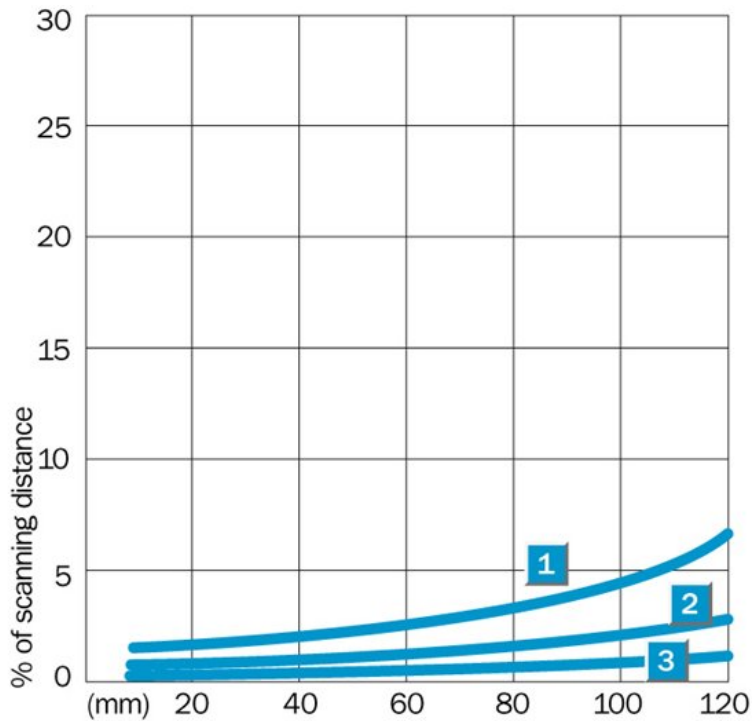


- [1] Standard direction of the material being scanned
- [2] Optical axis receiver
- [3] Optical axis sender
- [4] Status indicator LED green: power on
- [5] Status indicator LED, yellow: Status of received light beam
- [6] Potentiometer
- [7] Threaded mounting hole M3
- [8] Connection

Connection diagram

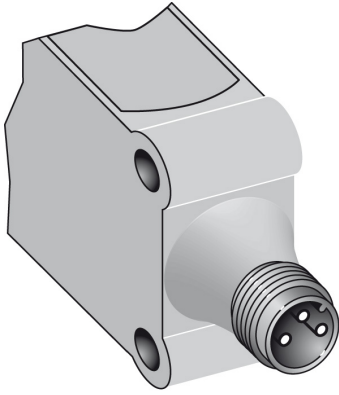


Characteristic curve

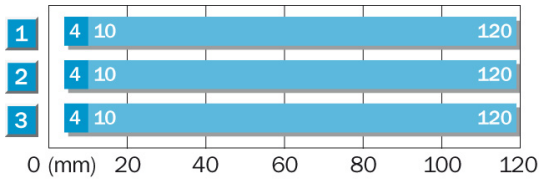


- [1] Sensing range on black, 6 % remission
- [2] Sensing range on grey, 18 % remission
- [3] Sensing range on white, 90 % remission

Connection type



Sensing range diagram



■ Operating distance ■ Scanning distance
typ. max.

1	Scanning distance on black, 6 % remission
2	Scanning distance on grey, 18 % remission
3	Scanning distance on white, 90 % remission

Australia

Phone +61 3 9457 0600
1800 334 802 – tollfree
E-Mail sales@sick.com.au

Belgium/Luxembourg

Phone +32 (0)2 466 55 66
E-Mail info@sick.be

Brasil

Phone +55 11 3215-4900
E-Mail sac@sick.com.br

Canada

Phone +1 905 771 14 44
E-Mail information@sick.com

Ceská Republika

Phone +420 2 57 91 18 50
E-Mail sick@sick.cz

China

Phone +86 4000 121 000
E-Mail info.china@sick.net.cn
Phone +852-2153 6300
E-Mail ghk@sick.com.hk

Danmark

Phone +45 45 82 64 00
E-Mail sick@sick.dk

Deutschland

Phone +49 211 5301-301
E-Mail kundenservice@sick.de

España

Phone +34 93 480 31 00
E-Mail info@sick.es

France

Phone +33 1 64 62 35 00
E-Mail info@sick.fr

Great Britain

Phone +44 (0)1727 831121
E-Mail info@sick.co.uk

India

Phone +91-22-4033 8333
E-Mail info@sick-india.com

Israel

Phone +972-4-6801000
E-Mail info@sick-sensors.com

Italia

Phone +39 02 27 43 41
E-Mail info@sick.it

Japan

Phone +81 (0)3 3358 1341
E-Mail support@sick.jp

Magyarország

Phone +36 1 371 2680
E-Mail office@sick.hu

Nederlands

Phone +31 (0)30 229 25 44
E-Mail info@sick.nl

Norge

Phone +47 67 81 50 00
E-Mail austefjord@sick.no

Österreich

Phone +43 (0)22 36 62 28 8-0
E-Mail office@sick.at

Polska

Phone +48 22 837 40 50
E-Mail info@sick.pl

România

Phone +40 356 171 120
E-Mail office@sick.ro

Russia

Phone +7-495-775-05-30
E-Mail info@sick.ru

Schweiz

Phone +41 41 619 29 39
E-Mail contact@sick.ch

Singapore

Phone +65 6744 3732
E-Mail admin@sicksgp.com.sg

Slovenija

Phone +386 (0)1-47 69 990
E-Mail office@sick.si

South Africa

Phone +27 11 472 3733
E-Mail info@sickautomation.co.za

South Korea

Phone +82 2 786 6321/4
E-Mail info@sickkorea.net

Suomi

Phone +358-9-25 15 800
E-Mail sick@sick.fi

Sverige

Phone +46 10 110 10 00
E-Mail info@sick.se

Taiwan

Phone +886-2-2375-6288
E-Mail sales@sick.com.tw

Türkiye

Phone +90 (216) 528 50 00
E-Mail info@sick.com.tr

United Arab Emirates

Phone +971 (0) 4 8865 878
E-Mail info@sick.ae

USA/México

Phone +1(952) 941-6780
1 800-325-7425 – tollfree
E-Mail info@sickusa.com

More representatives and agencies
at www.sick.com