



Main

Range of product	Modicon M171
Product or component type	Display module
Display colour	Monochrome
Supply	External source

Complementary

Display type	7 segments LED + decimal point
Number of key	8
Colour	Grey
[Us] rated supply voltage	12 V DC
Power consumption in W	5 W 0 W
Marking	CE
Local signalling	LED
Product compatibility	Logic controller M171 optimized
Height	74 mm
Width	32 mm
Depth	30 mm
Product weight	0.042 kg

Environment

Standards	RoHS compliant
Product certifications	REACH CURus
IP degree of protection	IP20

Offer Sustainability

REACH free of SVHC	Yes
EU RoHS Directive	Pro-active compliance (Product out of EU RoHS legal scope) EU RoHS Declaration
Mercury free	Yes

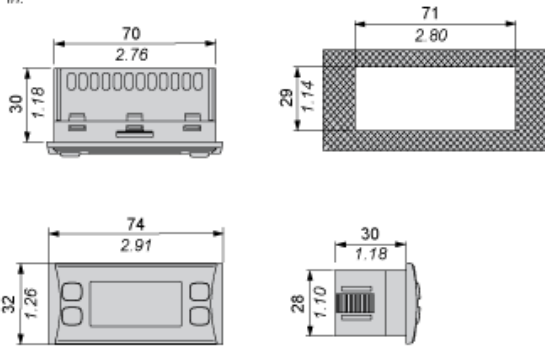
RoHS exemption information	Yes
China RoHS Regulation	China RoHS declaration
WEEE	The product must be disposed on European Union markets following specific waste collection and never end up in rubbish bins

Contractual warranty

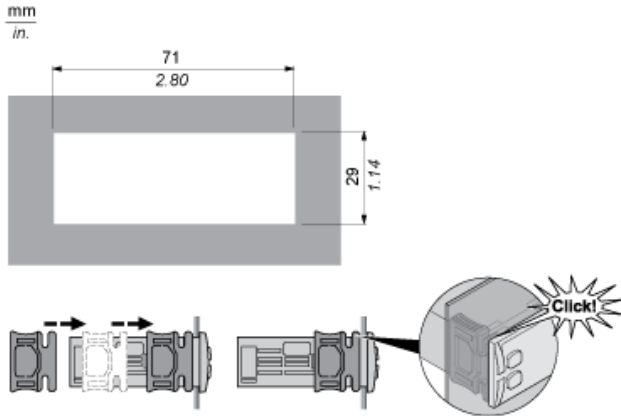
Warranty	18 months
----------	-----------

Dimensions

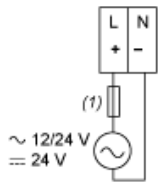
mm
in.



Mounting on Panel with the Special Brackets Provided



Power Supply



(1) Type T fuse (Controller: 1.25 A , Expansion: 1 A)

Wiring Diagram



BK : Black
BU : Blue
RD : Red