



### Main

Range of product	Modicon M171/M172
Product or component type	Programmable controllers
Product specific application	HVAC and pumping solution
Variant	Programmable
Total inputs/outputs	3
Analogue input number	1 analog input NTC (on board) 1 analog input NTC

### Complementary

Number of port	1 CAN port - screw terminal block 1 Ethernet - RJ45 (Modbus TCP and BACnet IP with webserver) 1 RS485 - screw terminal block (Modbus serial link or BACnet MS/TP) 1
Input/Output number	3 analog input(s)
Analogue input type	voltage 0...5 V (ratiometric) current 4...20 mA NTC temperature probe - 50...110 °C - resolution: 0.1 °C (extended) voltage 0...10 V NTC temperature probe - 40...150 °C - resolution: 0.1 °C
[Us] rated supply voltage	24 V ±10% AC 48 V DC
Power consumption in W	24 VA at 24 V AC 15 W at 20...38 V DC
Realtime clock	Without clock at -20...65 °C
Display type	Without display
Overvoltage category	II
Local signalling	Without
Mounting support	DIN rail Panel mounting with accessory
Width	72 mm
Height	110 mm
Depth	60.5 mm
Product weight	0.19 kg

Disclaimer: This documentation is not intended as a substitute for and is not to be used for determining suitability or reliability of these products for specific user applications

## Environment

Standards	EN/IEC 60730
Product certifications	CSA RCM CURus CE EAC
Ambient air temperature for operation	-20...65 °C conforming to UL 60730-1
Ambient air temperature for storage	-20...85 °C
Relative humidity	10...90 % non-condensing
IP degree of protection	IP20
Pollution degree	2

## Offer Sustainability

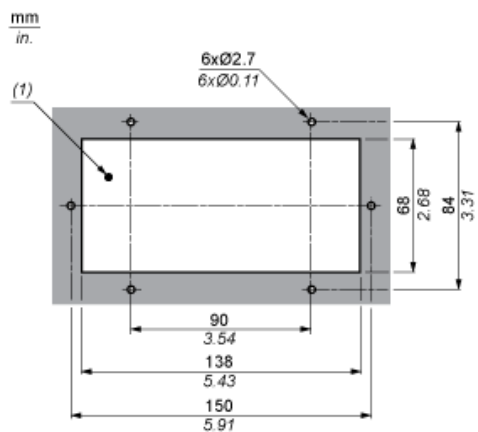
EU RoHS Directive	Pro-active compliance (Product out of EU RoHS legal scope) <a href="#">EU RoHS Declaration</a>
Mercury free	Yes
RoHS exemption information	<a href="#">Yes</a>
China RoHS Regulation	<a href="#">China RoHS declaration</a>
WEEE	The product must be disposed on European Union markets following specific waste collection and never end up in rubbish bins

## Contractual warranty

Warranty	18 months
----------	-----------

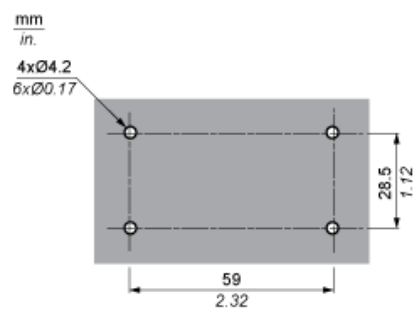
Mounting and Clearance

Panel Mounting



(1) Panel cut out

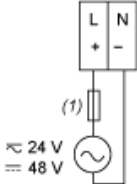
Wall Mounting



---

Power Supply

---



(1) Type T 630 mA fuse

---

Analog Inputs

---

