



Main

Range of product	Modicon M171
Accessory / separate part category	Thermal management accessory
Accessory / separate part type	Probe
Product specific application	Indoor temperature measurement

Complementary

Temperature probe type	NTC
Device mounting	Wall mounted
Mounting support	Mounting box
Electrical connection	Screw-clamp terminals
Marking	CE
Width	75 mm
Height	75 mm
Depth	25.5 mm

Environment

IP degree of protection	IP30
-------------------------	------

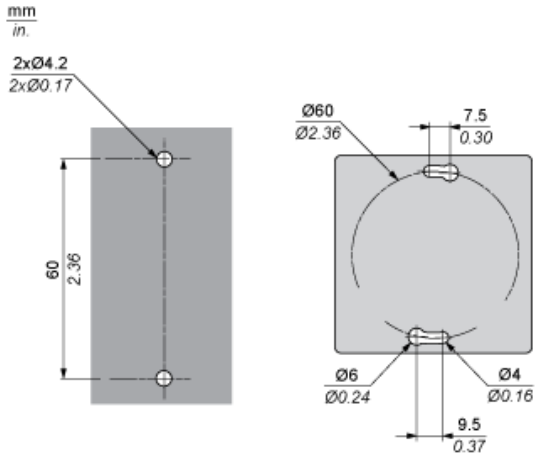
Offer Sustainability

EU RoHS Directive	Not applicable, out of EU RoHS legal scope
-------------------	--------------------------------------------

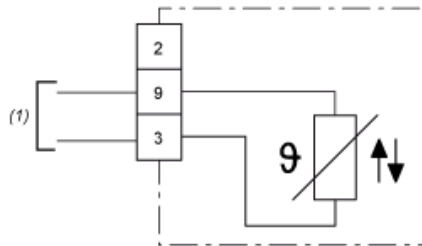
Contractual warranty

Warranty	18 months
----------	-----------

Wall Mounting



Wiring Diagram



(1) Controller