



Main

Range of product	Modicon TSX Micro automation platform
Product or component type	Discrete relay I/O base
Discrete input number	16 screw terminal block
Discrete input voltage	24 V DC negative
Discrete input current	9 mA

Complementary

Input voltage limits	≤ 8 V at state 1
Input current limits	≤ 1.5 mA at state 0 ≥ 2.5 mA at state 1
Input impedance	4 Ohm
Response time	< 10 ms output 0.1...7.5 ms input at state 1 to state 0 0.1...7.5 ms input at state 0 to state 1
Input compatibility	2-wire/3-wire proximity sensor
Load type	Resistive
Current consumption	131 mA negative 160 mA positive
Power dissipation in W	4.5 W
Output voltage limits	10...34 V DC 19...264 V AC
Contacts type and composition	NO
Power consumption in VA	110 VA 110 V AC-15 inductive 220 VA 220 V AC-15 inductive 24 VA 48 V AC-15 inductive 24 VA 24 V AC-15 inductive 220 VA 220 V AC-12 resistive 220 VA 110 V AC-12 resistive 110 VA 48 V AC-12 resistive 50 VA 24 V AC-12 resistive
Power consumption in W	24 W 24 V DC-13 inductive 40 W 24 V DC-12 resistive
Isolation voltage	1500 V 1 s
Insulation resistance	≥ 10 mOhm
Product weight	0.5 kg

Environment

Standards	IEC 1131-2 Type 1
[Ith] conventional free air thermal current	3 A

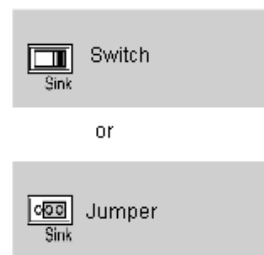
Offer Sustainability

Sustainable offer status	Not Green Premium product
RoHS (date code: YYWW)	Will not be Compliant
Product environmental profile	Available Download Product Environmental

Sensors/Inputs and Actuators/Outputs Connections

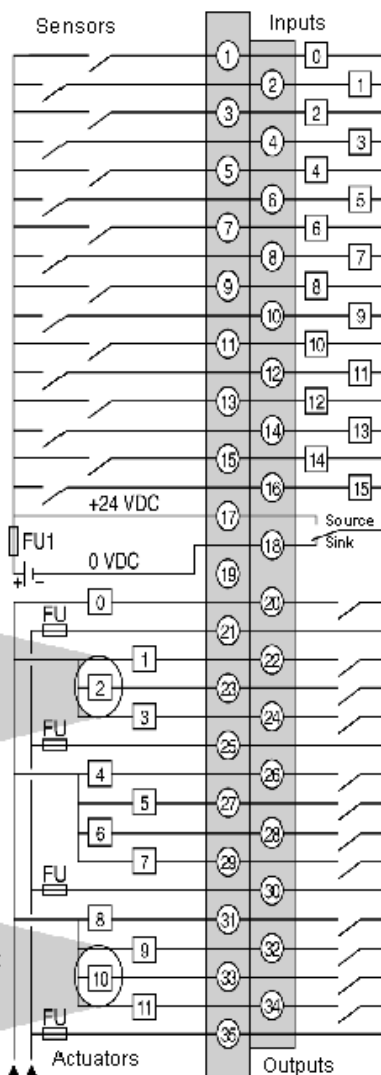
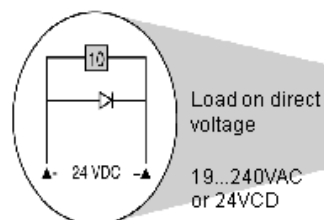
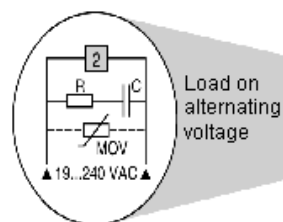
Wiring Diagrams

Positive logic input (Sink)



Inputs hardware configuration

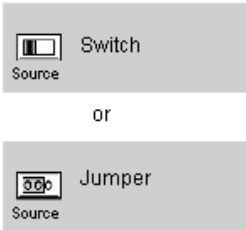
Mandatory protection to be fitted to the terminals of each actuator



FU1 = 0.5A fast-blow fuse.

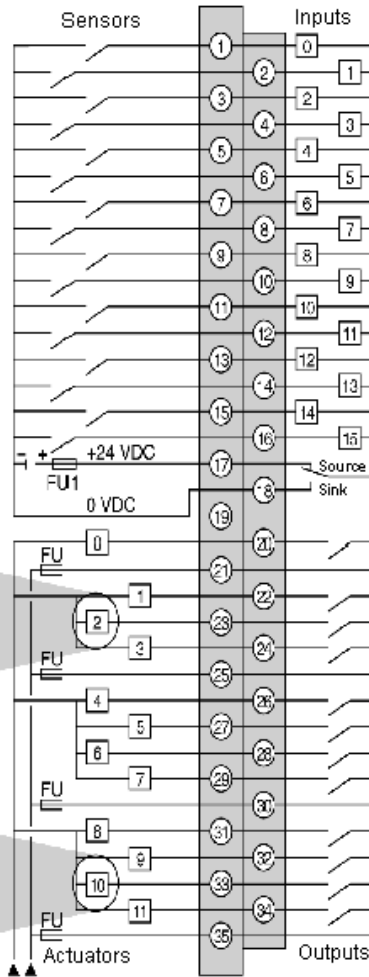
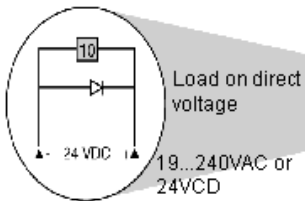
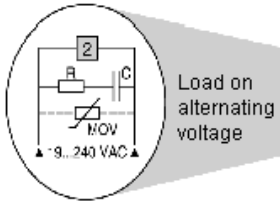
FU = Fast-blow fuses to be calibrated according to the load.

Negative logic input (Source)



Inputs hardware configuration

Mandatory protection to be fitted to the terminals of each actuator



FU1 = 0.5A fast-blow fuse.

FU = Fast-blow fuses to be calibrated according to the load