

### Main

Product or component type	Braking resistor
---------------------------	------------------

### Complementary

Range compatibility	Altivar Machine ATV340 Easy Altivar 310 Altivar Process ATV900 Altivar Machine ATV320 Easy Altivar 310L
Product compatibility	Variable speed drive ATV320 15 kW 525...600 V Variable speed drive ATV930 wall mount 4 kW 200...240 V medium cycle Variable speed drive ATV950 wall mount 11 kW 380...480 V light cycle Variable speed drive ATV930 wall mount 3 kW 200...240 V medium cycle Variable speed drive ATV930 wall mount 11 kW 380...480 V light cycle Variable speed drive ATV320 7.5 kW 525...600 V Variable speed drive ATV930 15 kW 500...690 V light cycle Variable speed drive ATV930 wall mount 3 kW 200...240 V light cycle Variable speed drive ATV930 25 hp 600 V light cycle Variable speed drive ATV320 7.5 kW 380...480 V Variable speed drive ATV320 3 kW 200...240 V Variable speed drive ATV320 11 kW 380...480 V Variable speed drive ATV320 11 kW 525...600 V Variable speed drive ATV930 20 hp 600 V light cycle Variable speed drive ATV930 18.5 kW 500...690 V light cycle Variable speed drive ATV930 wall mount 15 kW 380...480 V light cycle Variable speed drive ATV340 11 kW 380...480 V light cycle Variable speed drive ATV950 wall mount 15 kW 380...480 V light cycle Variable speed drive ATV310 11 kW Variable speed drive ATV930 wall mount 4 kW 200...240 V light cycle Variable speed drive ATV340 7.5 kW 380...480 V light cycle Variable speed drive ATV320 2.2 kW 200...240 V
Braking cycle	Light cycle (heavy duty) <0.8 s braking with 150 % braking torque for a 40 s cycle Light cycle (normal duty) <0.8 s braking with 120 % braking torque for a 40 s cycle Medium cycle (normal duty) <4 s braking with 135 % braking torque for a 40 s cycle Medium cycle (heavy duty) <4 s braking with 165 % braking torque for a 40 s cycle
Average power available	0.3 kW at 50 °C
Ohmic value	28 Ohm
Electrical connection	terminal, connection capacity: <= 10 mm <sup>2</sup> / AWG 8 for drive
Protection type	Thermal protection via drive
Width	175 mm
Height	345 mm

Depth	100 mm
Product weight	2.7 kg

### Environment

Ambient air temperature for operation	0...50 °C
Ambient air temperature for storage	-25...70 °C
IP degree of protection	IP20

### Offer Sustainability

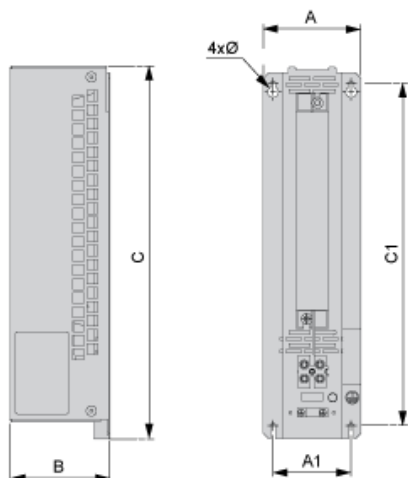
EU RoHS Directive	Pro-active compliance (Product out of EU RoHS legal scope) <a href="#">EU RoHS Declaration</a>
Toxic heavy metal free	Yes
Mercury free	Yes
RoHS exemption information	<a href="#">Yes</a>
China RoHS Regulation	<a href="#">China RoHS declaration</a>

### Contractual warranty

Warranty	18 months
----------	-----------

Dimensions

Right Side and Front View



Dimensions in mm

A	B	C	A1	C1	Ø
175	100	345	142	316	4.5

Dimensions in in.

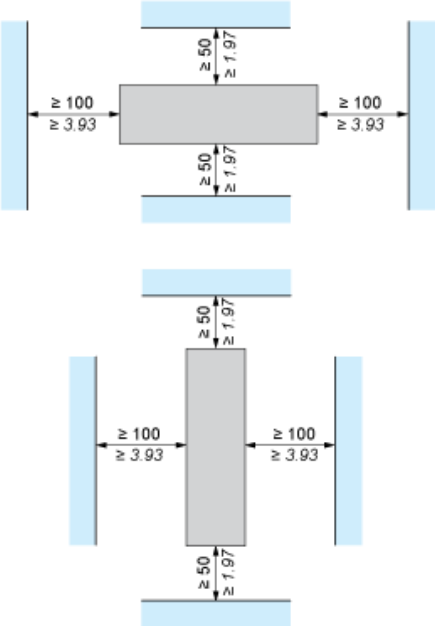
A	B	C	A1	C1	Ø
6.89	3.94	13.58	5.59	12.44	0.18

Mounting and Clearance



(1) Braking resistor

mm  
in.

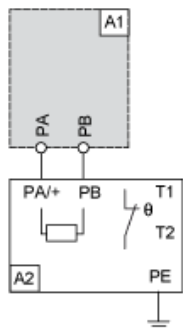


---

Recommended Schema

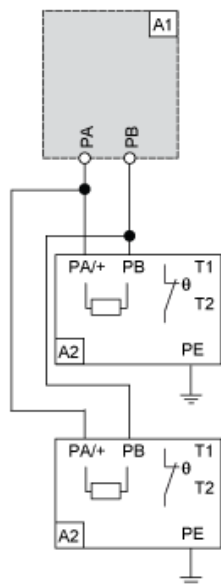
---

1 Braking Resistor



A1 : Drive or external braking unit  
A2 : Braking resistor  
PA, PB : Bus DC  
T1, T2 : Temperature control switch

2 Braking Resistors



A1 : Drive or external braking unit  
A2 : Braking resistor  
PA, PB : Bus DC  
T1, T2 : Temperature control switch