



### Main

Range of product	OsiSense XC
Series name	Special format
Product or component type	Microswitch
Device short name	XC0
Detector design	Sealed
Head type	Plunger head
Fixing mode	By the body with steel, zinc passivated fixing supports
Movement of operating head	Linear
Type of operator	Domed plunger
Switch actuation	On end
Type of approach	Vertical approach
Electrical connection	A05 VVF cable
Cable length	2 m
Cable composition	3 x 0.75 mm <sup>2</sup>
Contact operation	Snap action
Contacts material	Silver contacts

### Complementary

Maximum cable outer diameter	7.6 mm
Maximum force for tripping	5.3 N
Minimum release force	1.5 N
Maximum permissible end of travel force	30 N
Tripping point	17.4 mm
Maximum differential travel	0.2 mm
Minimum over travel	0.2 mm
Inter contact distance	0.5 mm
[Ie] rated operational current	1 A 24 V 50/60 Hz
[Ith] conventional free air thermal current	12 A
[Ui] rated insulation voltage	60 V
Electrical durability	500000 cycles AC-15

Disclaimer: This documentation is not intended as a substitute for and is not to be used for determining suitability or reliability of these products for specific user applications

Mechanical durability	2000000 cycles
Width	32 mm
Height	18.3 mm
Depth	71 mm
Product weight	150 g

## Environment

IP degree of protection	IP66
Ambient air temperature for operation	0...85 °C
Marking	CE
Standards	IEC 60947-5-1

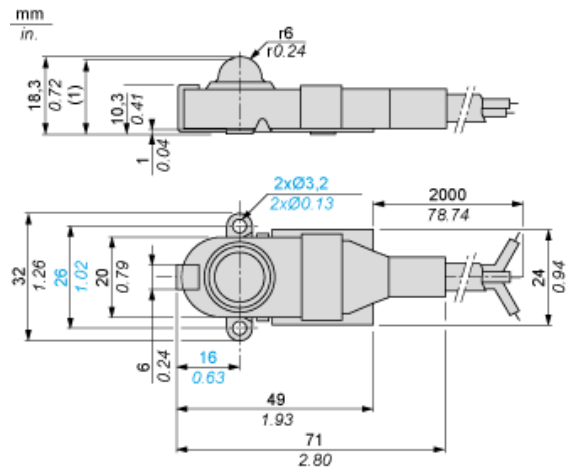
## Offer Sustainability

EU RoHS Directive	Pro-active compliance (Product out of EU RoHS legal scope) <a href="#">EU RoHS Declaration</a>
Mercury free	Yes
RoHS exemption information	<a href="#">Yes</a>

## Contractual warranty

Warranty	18 months
----------	-----------

Dimensions

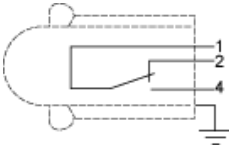


---

Wiring Diagram

---

Single-pole CO Snap Action



- 1 : Black
- 2 : Brown
- 4 : Blue