



Price* : 107.10 GBP



Main

| | |
|------------------------------|--|
| Range of product | OsiSense XC |
| Series name | Special format |
| Product or component type | Limit switch |
| Product specific application | For severe applications |
| Device short name | XC2J |
| Body type | Fixed |
| Head type | Rotary head |
| Material | Metal |
| Movement of operating head | Rotary |
| Type of operator | Square rod lever steel square rod 3 mm, L = 125 mm |
| Switch actuation | By any moving part |
| Type of approach | Lateral approach, 2 directions |
| Number of poles | 1 |
| Contact operation | Snap action |
| Minimum torque for tripping | 0.2 N.m |
| Maximum actuation speed | 1.5 m/s |

Complementary

| | |
|-------------------------------|--|
| Fixing mode | By the body |
| Electrical connection | Screw-clamp terminals, clamping capacity: 1 x 0.5...2 x 2.5 mm ² |
| Cable entry | 1 entry incorporating cable gland, cable outer diameter: 6...13.5 mm |
| Contacts insulation form | Za |
| Contacts material | Silver plated contacts |
| Positive opening | Without |
| Minimum actuation speed | 0.001 m/min |
| Contact code designation | A300, AC-15 (U _e = 240 V), I _e = 3 A, I _{the} = 10 A conforming to EN/IEC 60947-5-1 Q300, DC-13 (U _e = 250 V), I _e = 0.27 A conforming to EN/IEC 60947-5-1 |
| [Ui] rated insulation voltage | 500 V conforming to IEC 60947-5-1 |

Disclaimer: This documentation is not intended as a substitute for and is not to be used for determining suitability or reliability of these products for specific user applications

| | |
|-------------------------------------|---|
| | 500 V conforming to NF C 20-040 group C 300 V conforming to CSA C22.2 No 14 |
| Maximum resistance across terminals | 25 MOhm conforming to IEC 60255-7 category 3 25 MOhm conforming to NF C 93-050 method A |
| Short-circuit protection | 10 A cartridge fuse, type gG |
| Electrical durability | 5000000 cycles, DC-13, 120 V, 4 W, operating rate <3600 cyc/h, load factor: 0.5 conforming to IEC 60947-5-1 appendix C 5000000 cycles, DC-13, 24 V, 10 W, operating rate <3600 cyc/h, load factor: 0.5 conforming to IEC 60947-5-1 appendix C 5000000 cycles, DC-13, 48 V, 7 W, operating rate <3600 cyc/h, load factor: 0.5 conforming to IEC 60947-5-1 appendix C |
| Mechanical durability | 30000000 cycles |
| Width | 40 mm |
| Height | 141 mm |
| Depth | 65 mm |
| Product weight | 0.605 kg |
| Terminals description ISO n°1 | (13-14-11-12)OF |

Environment

| | |
|---------------------------------------|--|
| Shock resistance | 25 gn for 18 ms conforming to IEC 60068-2-27 |
| Vibration resistance | 10 gn (f= 10...500 Hz) conforming to IEC 60068-2-6 |
| IP degree of protection | IP65 conforming to IEC 60529 IP657 conforming to NF C 20-010 |
| IK degree of protection | IK08 |
| Electrical shock protection class | Class I conforming to IEC 60536 Class I conforming to NF C 20-030 |
| Ambient air temperature for operation | -25...70 °C |
| Ambient air temperature for storage | -40...70 °C |
| Protective treatment | TC |
| Product certifications | DEMKO NEMKO CSA |
| Standards | VDE 0660-200 UL 508 IEC 60337-1 CSA C22.2 No 14 EN/IEC 60947-5-1 |

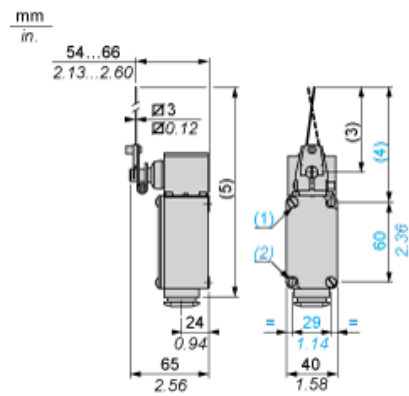
Offer Sustainability

| | |
|----------------------------|---|
| Sustainable offer status | Green Premium product |
| EU RoHS Directive | Pro-active compliance (Product out of EU RoHS legal scope) EU RoHS Declaration |
| Mercury free | Yes |
| RoHS exemption information | Yes |
| Environmental Disclosure | Product Environmental Profile |
| Circularity Profile | No need of specific recycling operations |

Contractual warranty

| | |
|----------|-----------|
| Warranty | 18 months |
|----------|-----------|

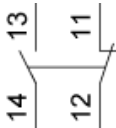
Dimensions



- (1) Fixing from the rear: by 2 M5 screws. Depth of thread on switch: 10 mm.
- (2) Fixing from the front via 2 holes Ø 5.5.
- (3) 125 max.
- (4) 148 max.
- (5) 222 max.

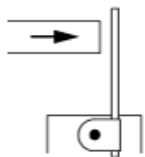
Wiring Diagram

Single-pole CO Snap Action



Characteristics of Actuation

Switch Actuation by Any Moving Part



Functionnal Diagram

