

Price\* : 338.44 GBP



### Main

|                              |                                     |
|------------------------------|-------------------------------------|
| Range of product             | OsiSense XCC                        |
| Encoder type                 | Incremental encoder                 |
| Encoder name                 | XCC                                 |
| Product specific application | -                                   |
| Diameter                     | 58 mm                               |
| Shaft diameter               | 14 mm                               |
| Shaft type                   | Through shaft                       |
| Resolution                   | 1000 points                         |
| Output stage                 | Type Y                              |
| Type of output stage         | Driver push-pull                    |
| Electrical connection        | 1 male connector M23 radial 12 pins |
| [Us] rated supply voltage    | 5...30 V DC                         |
| Enclosure material           | Zamak                               |

### Complementary

|                          |  |
|--------------------------|--|
| Shaft tolerance          | H7   |
| Residual ripple          | 500 mV   |
| Maximum revolution speed | 6000 rpm   |
| Shaft moment of inertia  | 22 g.cm <sup>2</sup>   |
| Torque value             | 0.006 N.m  |
| Maximum load             | 2 daN axial<br>5 daN radial  |
| Output frequency         | 300 kHz  |
| Number of channels       | 3  |
| Current consumption      | 0...75 mA no-load  |
| Protection type          | Reverse polarity protection<br>Short-circuit protection                      |
| Maximum output current   | 40 mA  |
| Output level             | Low level: 0.5 V maximum 20 mA<br>High level: V supply - 2.5 V minimum 20 mA |
| Surge withstand          | 1 kV, level 2 conforming to IEC 61000-4-5                                    |

|                       |                 |
|-----------------------|-----------------|
| Base material         | Aluminium       |
| Shaft material        | Stainless steel |
| Type of ball bearings | 6803ZZ          |
| Product weight        | 0.435 kg        |

## Environment

|                                       |  |
|---------------------------------------|--|
| Marking                               | CE   |
| Ambient air temperature for operation | -30...100 °C   |
| Ambient air temperature for storage   | -30...85 °C  |
| IP degree of protection               | IP65 conforming to IEC 60529   |
| Vibration resistance                  | 10 gn (f= 55...2000 Hz) conforming to IEC 60068-2-6  |
| Shock resistance                      | 30 gn for 11 ms conforming to IEC 60068-2-27   |
| Resistance to electrostatic discharge | 4 kV (contact discharge) level 3 conforming to IEC 61000-4-2<br>8 kV (air discharge) level 3 conforming to IEC 61000-4-2 |
| Resistance to electromagnetic fields  | 10 V/m level 3 conforming to IEC 61000-4-3   |
| Resistance to fast transients         | 1 kV signal ports level 3 conforming to IEC 61000-4-4<br>2 kV power ports level 3 conforming to IEC 61000-4-4            |

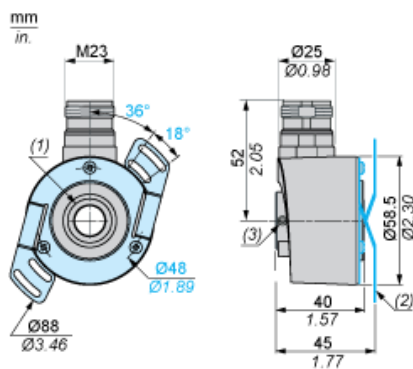
## Offer Sustainability

|                            |   |
|----------------------------|---|
| REACH free of SVHC         | Yes   |
| EU RoHS Directive          | Pro-active compliance (Product out of EU RoHS legal scope)<br><a href="#">EU RoHS Declaration</a> |
| Toxic heavy metal free     | Yes   |
| Mercury free               | Yes   |
| RoHS exemption information | <a href="#">Yes</a>   |

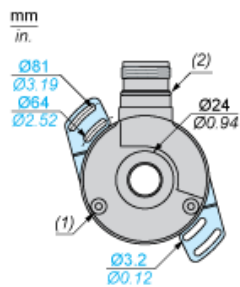
## Contractual warranty

|          |           |
|----------|-----------|
| Warranty | 18 months |
|----------|-----------|

Dimensions



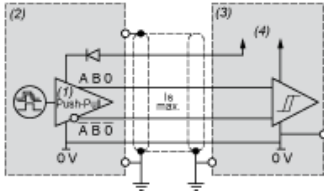
- (1) Through shaft, Ø 14 (H7)
- (2) Flexible mounting kit, 1 x XCCRF5N mounted
- (3) 2 HC M4 x 4 locking screws



- (1) Hole for M3 x 6 self-threading screw
- (2) Nitrile seal

## Wiring Diagram

### Type Y Output Stage

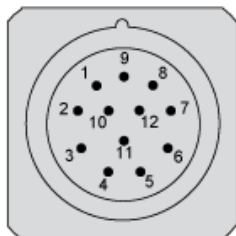


- (1) RS 422 compatible on 5 V supply
- (2) Encoder
- (3) Processing
- (4) Supply 5 V/30 V

## Wiring Diagram

### M23, 12-pin Connector Connections

Male Connector on Encoder



| Pin number    | 1              | 2  | 3 | 4              | 5 | 6              | 7 | 8 | 9 | 10  | 11  | 12 |
|---------------|----------------|----|---|----------------|---|----------------|---|---|---|-----|-----|----|
| Signal Supply | A <sup>-</sup> | +V | 0 | 0 <sup>-</sup> | B | B <sup>-</sup> | R | A | R | 0 V | 0 V | +V |

R = reserved, do not connect