



Main

| | |
|------------------------------|---|
| Range of product | OsiSense XCC |
| Encoder type | Multiturn absolute encoder fieldbus |
| Device short name | XCC |
| Product specific application | - |
| Diameter | 58 mm |
| Bus type | CANopen S10 (Transparent Ready) DS 406 V3.1, class C2 conforming to DR303-1V1.3, DR303-3 V1.2., ISO 11898, DS301 V4.02/CAN2.A |
| Shaft diameter | 15 mm |
| Shaft type | Hollow |
| Resolution | 4096 turns/8192 points |
| Electrical connection | 1 male + 1 female connectors + 1 cable gland M12 radial 5 pins Pg 9 radial for network input/ouputs and external supply |
| Type of output stage | CANopen 25-bit |
| [Us] rated supply voltage | 24 V DC |
| Transmission rate | 1000 kbit/s 800 kbit/s 20 kbit/s 250 kbit/s 10 kbit/s 125 kbit/s 50 kbit/s 500 kbit/s |
| Enclosure material | Aluminium |

Complementary

| | |
|--------------------------|----------------------|
| Shaft tolerance | F7 |
| Supply voltage limits | 10...30 V DC |
| Maximum revolution speed | 6000 rpm |
| Shaft moment of inertia | 30 g.cm ² |
| Torque value | 0.003 N.m |
| Maximum load | 11 daN radial |
| Output frequency | 800 kHz |
| Current consumption | 0...100 mA no-load |

| | |
|-----------------------|---|
| Protection type | Reverse polarity protection Voltage peaks protection |
| Status LED | CAN_RUN: 1 LED (green) CAN_ERR: 1 LED (red) |
| Surge withstand | 0.5 kV, level 1 conforming to IEC 61000-4-5 |
| Base material | Aluminium |
| Shaft material | Stainless steel |
| Type of ball bearings | 6803ZZ |
| Product weight | 0.57 kg |

Environment

| | |
|---------------------------------------|--|
| Product certifications | CiA Schneider Electric interoperability standards |
| Marking | CE |
| Ambient air temperature for operation | -40...85 °C |
| Ambient air temperature for storage | -40...85 °C |
| IP degree of protection | IP64 conforming to IEC 60529 |
| Vibration resistance | 10 gn (f= 10...2000 Hz) conforming to IEC 60068-2-6 |
| Shock resistance | 100 gn for 6 ms conforming to IEC 60068-2-27 |
| Resistance to electrostatic discharge | 2 kV (contact discharge) level 2 conforming to IEC 61000-4-2 4 kV (air discharge) level 2 conforming to IEC 61000-4-2 |
| Resistance to electromagnetic fields | 10 V/m level 3 conforming to IEC 61000-4-3 |
| Resistance to fast transients | 1 kV signal ports level 3 conforming to IEC 61000-4-4 2 kV power ports level 3 conforming to IEC 61000-4-4 |

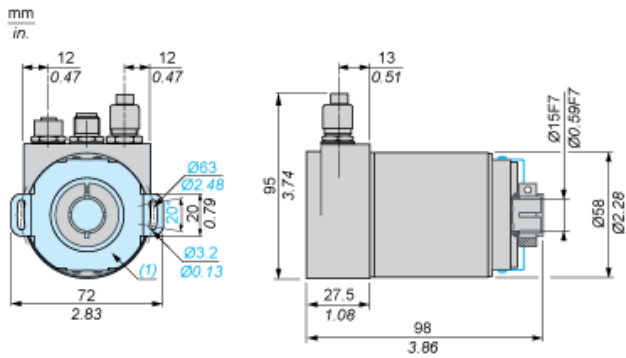
Offer Sustainability

| | |
|----------------------------|---|
| REACH free of SVHC | Yes |
| EU RoHS Directive | Pro-active compliance (Product out of EU RoHS legal scope) EU RoHS Declaration |
| Toxic heavy metal free | Yes |
| Mercury free | Yes |
| RoHS exemption information | Yes |

Contractual warranty

| | |
|----------|-----------|
| Warranty | 18 months |
|----------|-----------|

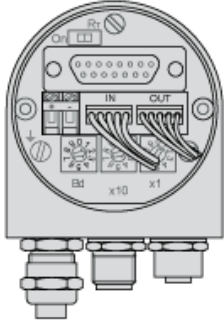
Dimensions



(1) Flexible mounting kit, 1 x XCCRF5B mounted

Wiring Diagram

CANopen Connections

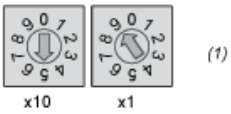


Bus termination resistor

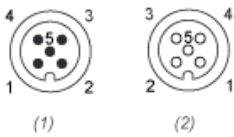


- (1) 1st or last encoder
- (2) Encoder X

Permissible address range



- (1) (1 => 99) (0 => reserve)



- (1) Bus IN M12 male connector
- (2) Bus OUT M12 female connector

| Pin | 1 | 2 | 3 | 4 | 5 |
|----------|----------|----------|---------|-------|-------|
| Function | CAN_SHLD | (CAN_V+) | CAN_GND | CAN_H | CAN_L |
| Terminal | + | | - | | |
| Function | 24 V | | 0 V | | |