



Main

Range of product	OsiSense XCC
Encoder type	Multiturn absolute encoder fieldbus
Device short name	XCC
Product specific application	-
Diameter	58 mm
Bus type	Profibus DP 3.062 V1.1. conforming to IEC 61158, EN 50170 class 2, IEC 61784, EN 50254
Shaft diameter	15 mm
Shaft type	Hollow
Resolution	4096 turns/8192 points
Electrical connection	3 cable glands Pg 9 radial external supply
Type of output stage	PROFIBUS-DP 25-bit
[Us] rated supply voltage	24 V DC
Transmission rate	9.6 kbit/s...12000 kbit/s
Enclosure material	Aluminium

Complementary

Shaft tolerance	F7
Supply voltage limits	10...30 V DC
Maximum revolution speed	6000 rpm
Shaft moment of inertia	30 g.cm ²
Torque value	0.003 N.m
Maximum load	11 daN radial
Output frequency	800 kHz
Current consumption	0...100 mA no-load
Protection type	Reverse polarity protection Voltage peaks protection
Status LED	Status: 1 LED (green) Error: 1 LED (red)
Surge withstand	0.5 kV, level 1 conforming to IEC 61000-4-5
Base material	Aluminium
Shaft material	Stainless steel
Type of ball bearings	6803ZZ

Product weight	0.57 kg
----------------	---------

Environment

Product certifications	DIN VDE 0160 Schneider Electric interoperability standards PNO
Marking	CE
Ambient air temperature for operation	-40...85 °C
Ambient air temperature for storage	-40...85 °C
IP degree of protection	IP64 conforming to IEC 60529
Vibration resistance	10 gn (f= 10...2000 Hz) conforming to IEC 60068-2-6
Shock resistance	100 gn for 6 ms conforming to IEC 60068-2-27
Resistance to electrostatic discharge	2 kV (contact discharge) level 2 conforming to IEC 61000-4-2 4 kV (air discharge) level 2 conforming to IEC 61000-4-2
Resistance to electromagnetic fields	10 V/m level 3 conforming to IEC 61000-4-3
Resistance to fast transients	1 kV signal ports level 3 conforming to IEC 61000-4-4 2 kV power ports level 3 conforming to IEC 61000-4-4

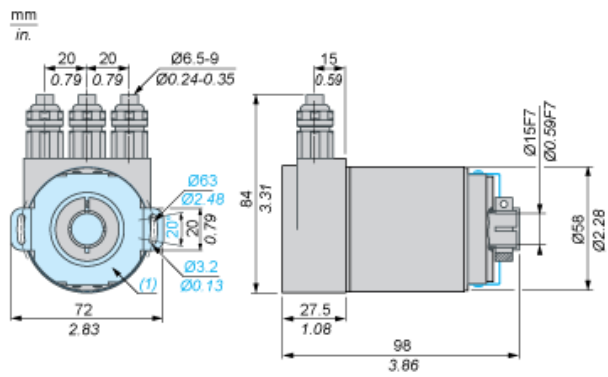
Offer Sustainability

REACH free of SVHC	Yes
EU RoHS Directive	Pro-active compliance (Product out of EU RoHS legal scope) EU RoHS Declaration
Toxic heavy metal free	Yes
Mercury free	Yes
RoHS exemption information	Yes

Contractual warranty

Warranty	18 months
----------	-----------

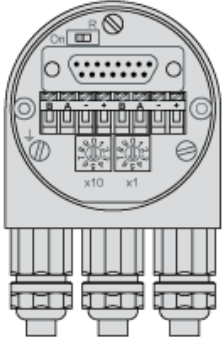
Dimensions



(1) Flexible mounting kit, 1 x XCCRF5B mounted

Wiring Diagram

PROFIBUS-DP Connections

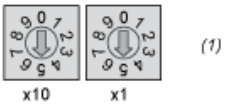


Bus termination resistor



- (1) 1st or last encoder
- (2) Encoder X

Permissible address range



- (1) 0 => 99

Terminal	Grounding	B (left)	A (left)	-	+
Function	Earth	Bus line B (Bus in)	Bus line A (Bus in)	0 V	11-30 V

Terminal	B (right)	A (right)	-	+
Function	Bus line B (Bus out)	Bus line A (Bus out)	0 V	11-30 V