

Price* : 27.54 GBP



Main

Accessory / separate part category	Mounting and fixing accessories
Accessory / separate part type	Collar for synchro mounting

Complementary

Accessory / separate part destination	Ø 58 mm encoder with solid shaft
Product compatibility	XCC1510P XCC3510P
Product weight	0.04 kg

Offer Sustainability

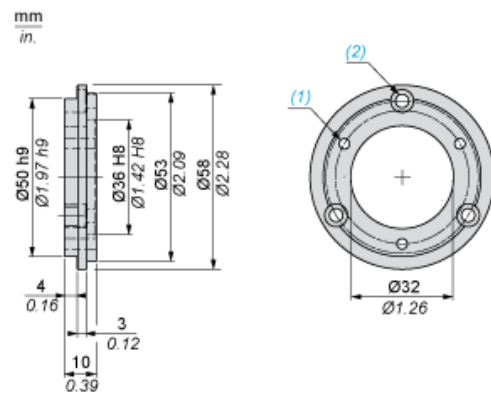
REACH free of SVHC	Yes
EU RoHS Directive	Pro-active compliance (Product out of EU RoHS legal scope) EU RoHS Declaration
Toxic heavy metal free	Yes
Mercury free	Yes
RoHS exemption information	Yes

Contractual warranty

Warranty	18 months
----------	-----------

Disclaimer: This documentation is not intended as a substitute for and is not to be used for determining suitability or reliability of these products for specific user applications

Dimensions



- (1) 3 holes M4 x 0.7 at 120° on 42 PCD. TC M3 x 8 screw fixings
- (2) 3 counterbored holes for TC M4 x 8 screws at 120° on 48 PCD