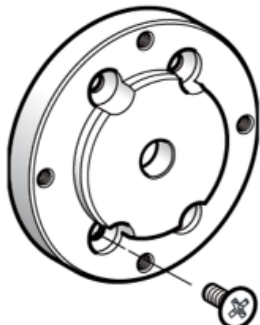


Price\* : 75.49 GBP



### Main

Accessory / separate part category	Mounting and fixing accessories
Accessory / separate part type	Substitution interface collar

### Complementary

Accessory / separate part destination	Ø 90 mm encoder with solid shaft
Product compatibility	XCC1912P XCC3912P
Product weight	0.175 kg

### Offer Sustainability

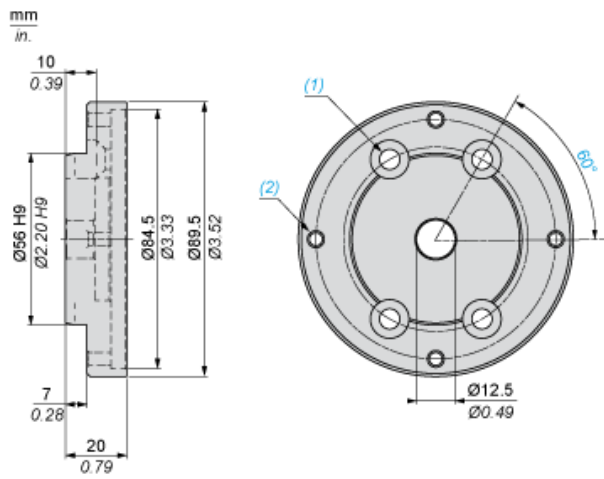
REACH free of SVHC	Yes
EU RoHS Directive	Pro-active compliance (Product out of EU RoHS legal scope) <a href="#">EU RoHS Declaration</a>
Toxic heavy metal free	Yes
Mercury free	Yes
RoHS exemption information	<a href="#">Yes</a>

### Contractual warranty

Warranty	18 months
----------	-----------

Disclaimer: This documentation is not intended as a substitute for and is not to be used for determining suitability or reliability of these products for specific user applications

Dimensions



- (1) 4 holes  $\varnothing 6.6$  at  $120^\circ$  on 60 PCD. Countersunk for TZ M6 x 16 screws
- (2) 4 holes M5 x 0.8 at  $90^\circ$  on 78 PCD